

no longer available - archive entry Alternative article: O5P502 + E21122

When selecting an alternative article and accessories please note that technical data may differ!

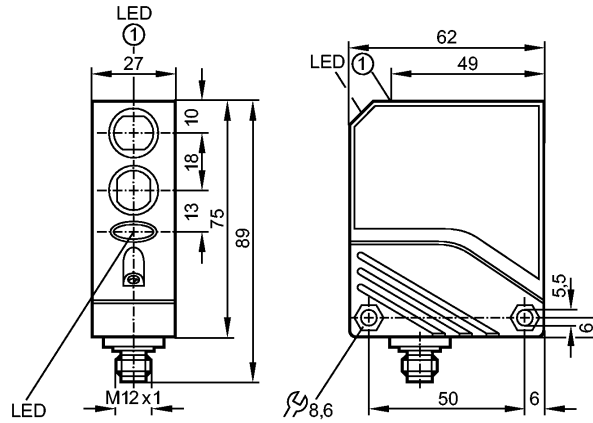
efector200

OL5005



OLP-FNKG/US-100

Photoelectric sensors



1: pushbutton



Product characteristics

Retro-reflective sensor

Rectangular, plastics

Quick disconnect

Polarization filter

Sensing range 0.3...5m (Prismatic reflector Ø 80 (E20005))

adjustable

Electrical data

Electrical design

Operating voltage [V]

Current consumption [mA]

Type of light

Protection class

Reverse polarity protection

Outputs

Output function

Voltage drop

- Switching output [V]

- Function check output [V]

Current rating

- Switching output [mA]

- Function check output [mA]

Short-circuit protection

Overload protection

Switching frequency [Hz]

Monitoring range

Sensing range [m]

Range referred to prismatic reflector [m]

Light spot diameter [mm]

Excess gain graphs

DC NPN

10...36 DC

< 37

red light 660 nm

II

yes

light-on / dark-on programmable

< 2.5

< 3.5

100

10

yes (non-latching)

yes

500

0.3...5 (Prismatic reflector Ø 80 (E20005))

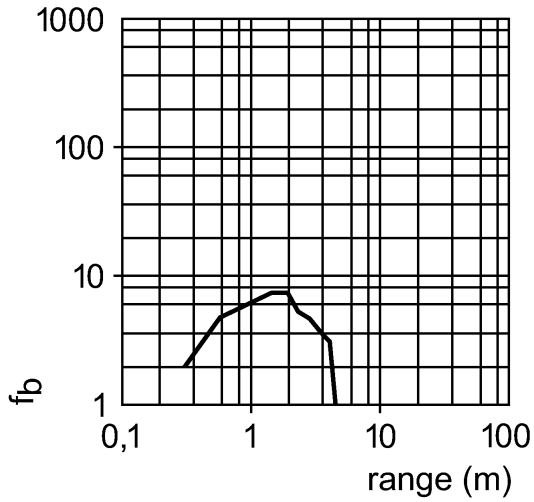
Ø 80 0.3...5

Ø 40 0.3...3

Ø 22 0.3...2

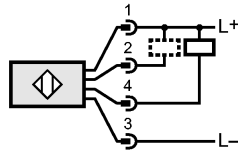
250 (at maximum range)

OL5005 - Retro-reflective sensor - eclass: 27270902 / 27-27-09-02



Environment	
Ambient temperature [°C]	-25...80
Protection	IP 67
Tests / approvals	
EMC	EN 60947-5-2 EN 55011: class B
Mechanical data	
Housing materials	PA; PBT
Lens material	PMMA
Weight [kg]	0.169
Displays / operating elements	
Output status indication LED	yellow
Power LED	green
Function display LED	red
Electrical connection	
Connection	M12 connector

Wiring



2: function check

Remarks	
Pack quantity [piece]	1

ifm efector, inc. • 1100 Atwater Drive • Malvern • PA 19355 — We reserve the right to make technical alterations without prior notice. — US — OL5005 — 06.03.2003
 no longer available - archive entry Alternative article: O5P502 + E21122
 When selecting an alternative article and accessories please note that technical data may differ!