

no longer available - archive entry Alternative article: OL0007

When selecting an alternative article and accessories please note that technical data may differ!

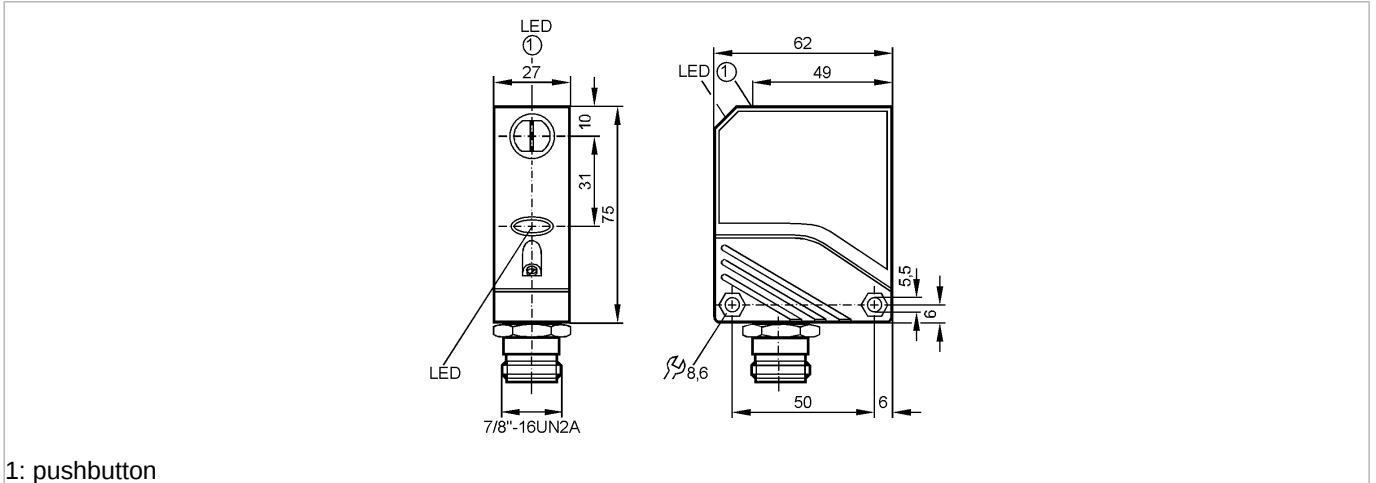
efector200

OL0013



OLE-FKOA/SL/LS-500

Photoelectric sensors



1: pushbutton



Product characteristics

Through-beam sensor

Rectangular, plastics

Quick disconnect

Receiver

Sensing range 25m

Electrical data

Electrical design

Operating voltage [V]

Power consumption [VA]

Type of light

Life expectancy typ. [h]

Protection class

Reverse polarity protection

Outputs

Output function

Contact rating

Short-circuit proof

Overload protection

Switching frequency [Hz]

Monitoring range

Sensing range [m]

Environment

Ambient temperature [°C]

Protection

Tests / approvals

EMC

MTTF [Years]

Mechanical data

Housing materials

Lens material

Weight [kg]

Displays / operating elements

Output status indication LED

AC/DC relay

20...250 AC/DC (47...63 Hz AC)

< 4

Infrared light 880 nm

100000 (25 °C)

I

no

light-on / dark-on programmable

250 V AC / 3 A / 950 VA, 125 V DC / 5 A / 120 W

no

no

10

25

-25...80

IP 67

EN 60947-5-2

EN 55011:

class B

264

PA; PBT

PMMA

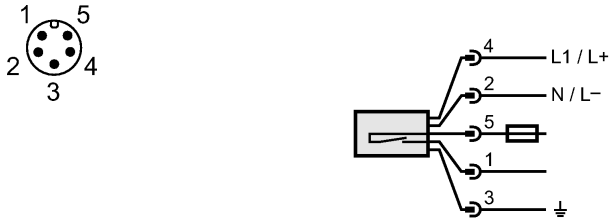
0.204

yellow

OL0013 - Through-beam sensor - eclass: 27270901 / 27-27-09-01

Power	LED	green
Function display	LED	red
Electrical connection		
Connection	7/8" connector	

Wiring



Note: miniature fuse to IEC60127-2 sheet 1, ≤ 5 A (fast acting)

Remarks	
Remarks	Recommendation: check the unit for reliable function after a short circuit.
Pack quantity	[piece] 1

ifm efector, inc. • 1100 Atwater Drive • Malvern • PA 19355 — We reserve the right to make technical alterations without prior notice. — US — OL0013 — 06.03.2003
 no longer available - archive entry Alternative article: OL0007

When selecting an alternative article and accessories please note that technical data may differ!