

no longer available - archive entry Alternative article: OL0005

When selecting an alternative article and accessories please note that technical data may differ!

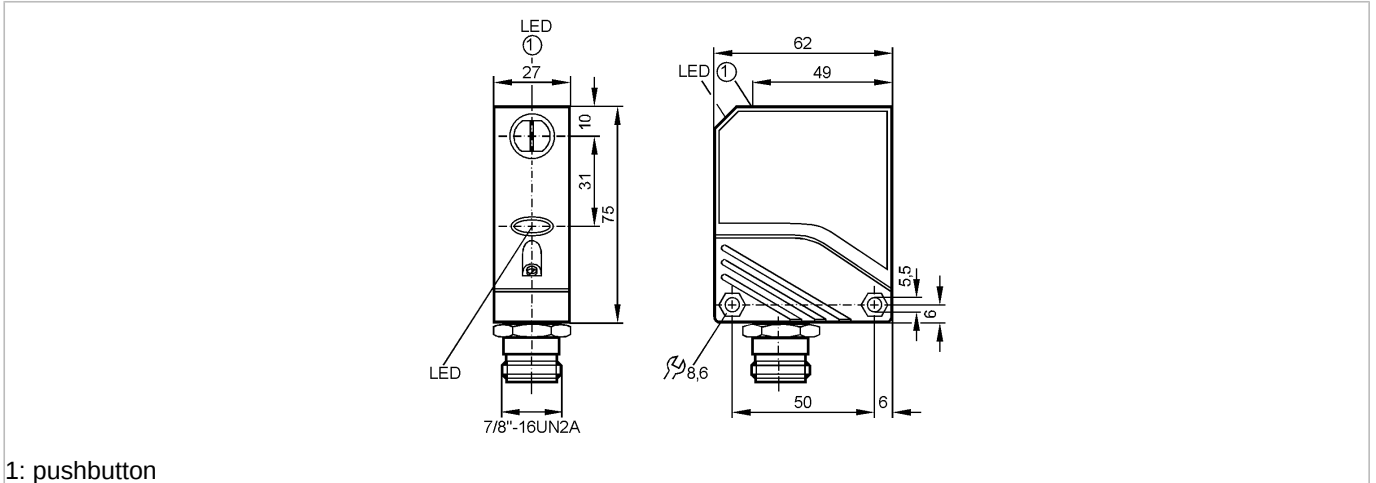
**efector200**

OL0011



OLT-FKOA/SL/LS-500

Photoelectric sensors



1: pushbutton



Product characteristics  
Diffuse reflection sensor

Rectangular, plastics

Quick disconnect

Range 1...1000mm (Range referred to white paper 200 x 200 mm, 90 % remission)

adjustable

Electrical data

Electrical design

Operating voltage [V]

Power consumption [VA]

Type of light

Life expectancy typ. [h]

Protection class

Reverse polarity protection

Outputs

Output function

Contact rating

Short-circuit proof

Overload protection

Switching frequency [Hz]

Monitoring range

Range [mm]

Light spot diameter [mm]

Environment

Ambient temperature [°C]

Protection

Tests / approvals

EMC

MTTF [Years]

Mechanical data

Housing materials

Lens material

Weight [kg]

Displays / operating elements

AC/DC relay

20...250 AC/DC (47...63 Hz AC)

< 4

Infrared light 880 nm

100000 (25 °C)

I

no

light-on / dark-on programmable

250 V AC / 3 A / 960 VA, 125 V DC / 5 A / 120 W

no

no

10

1...1000 (Range referred to white paper 200 x 200 mm, 90 % remission)

< 250 ( at maximum range )

-25...80

IP 67

EN 60947-5-2

EN 55011:

class B

255

PA; PBT

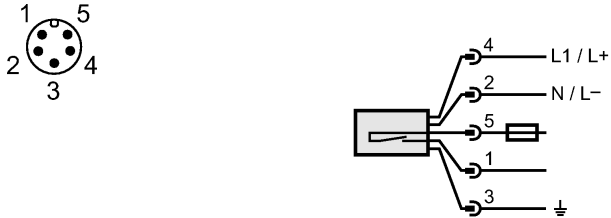
PMMA

0.207

**OL0011 - Diffuse reflection sensor - eclass: 27270903 / 27-27-09-03**

Output status indication	LED	yellow
Power	LED	green
Function display	LED	red
Electrical connection		
Connection	7/8" connector	

**Wiring**



Note: miniature fuse to IEC60127-2 sheet 1,  
 $\leq 5$  A (fast acting)

Remarks	
Remarks	Recommendation: check the unit for reliable function after a short circuit.
Pack quantity	[piece] 1

ifm efector, inc. • 1100 Atwater Drive • Malvern • PA 19355 — We reserve the right to make technical alterations without prior notice. — US — OL0011 — 06.03.2003  
 no longer available - archive entryAlternative article: OL0005

When selecting an alternative article and accessories please note that technical data may differ!