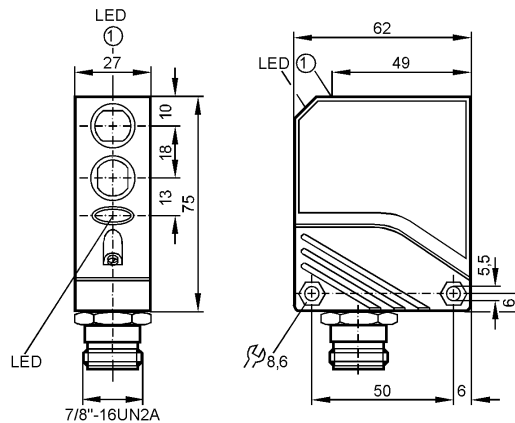


OL0010

OLP-FKOA/SL/LS-500

Photoelectric sensors



1: pushbutton



Product characteristics

Retro-reflective sensor
Rectangular, plastics
Quick disconnect
Polarization filter
Sensing range 0.3...5m (Prismatic reflector Ø 80 (E20005))
adjustable

Electrical data

Electrical design	AC/DC relay
Operating voltage [V]	20...250 AC/DC (47...63 Hz AC)
Power consumption [VA]	< 4
Type of light	red light 660 nm
Life expectancy typ. [h]	100000 (25 °C)
Protection class	I
Reverse polarity protection	no

Outputs

Output function	light-on / dark-on programmable
Contact rating	250 V AC / 3 A / 960 VA, 125 V DC / 5 A / 120 W
Short-circuit proof	no
Overload protection	no
Switching frequency [Hz]	10

Monitoring range

Sensing range [m]	0.3...5 (Prismatic reflector Ø 80 (E20005))
Range referred to prismatic reflector [m]	Ø 80 0.3...5 Ø 40 0.3...3 Ø 22 0.3...2

Environment

Ambient temperature [°C]	-25...80
Protection	IP 67

Tests / approvals

EMC	EN 60947-5-2 EN 55011: class B
MTTF [Years]	256

OL0010

OLP-FKOA/SL/LS-500

Photoelectric sensors

Mechanical data

Housing materials	PA; PBT
Lens material	PMMA
Weight [kg]	0.2

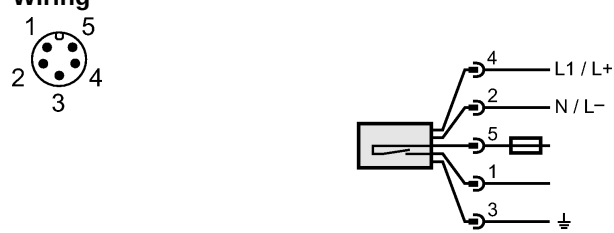
Displays / operating elements

Output status indication	LED	yellow
Power	LED	green
Function display	LED	red

Electrical connection

Connection	7/8" connector
------------	----------------

Wiring



Note: miniature fuse to IEC60127-2 sheet 1, ≤ 5 A (fast acting)

Remarks

Remarks	Recommendation: check the unit for reliable function after a short circuit.
---------	---

Pack quantity [piece]	1
-----------------------	---