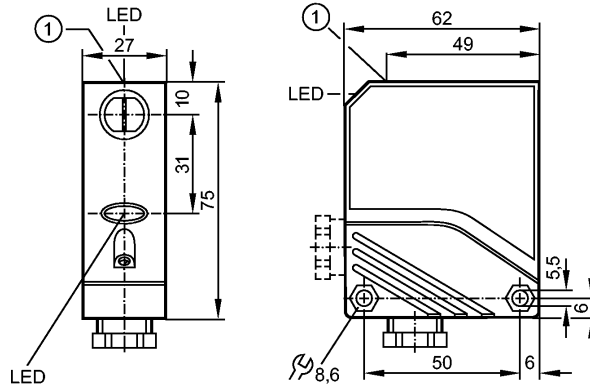




OLE-FKOA

Photoelectric sensors



1: pushbutton



Product characteristics

Through-beam sensor

Rectangular, plastics

Terminals

Receiver

Sensing range 25m

Electrical data

Electrical design

AC/DC relay

Operating voltage [V]

20...250 AC/DC (47...63 Hz AC)

Power consumption [VA]

< 4

Type of light

Infrared light 880 nm

Protection class

II

Reverse polarity protection

no

Outputs

Output function

light-on / dark-on programmable

Contact rating

250 V AC / 3 A / 950 VA, 125 V DC / 5 A / 120 W

Short-circuit proof

no

Overload protection

no

Switching frequency [Hz]

10

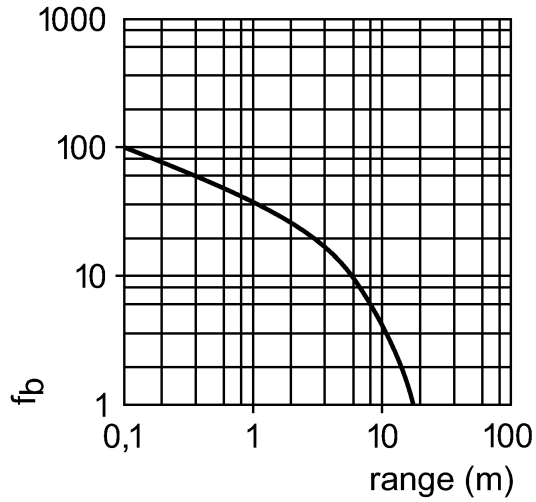
Monitoring range

Sensing range [m]

25

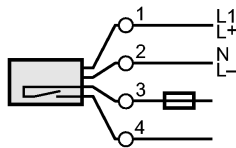
Excess gain graphs

OL0007 - Through-beam sensor - eclass: 27270901 / 27-27-09-01



Environment		
Ambient temperature	[°C]	-25...80
Protection		IP 67
Tests / approvals		
EMC		EN 60947-5-2 EN 55011: class B
MTTF	[Years]	233
Mechanical data		
Housing materials		PA; PBT
Lens material		PMMA
Weight	[kg]	0.167
Displays / operating elements		
Output status indication	LED	yellow
Power	LED	green
Function display	LED	red
Electrical connection		
Connection		terminals up to 1.5 mm ² ; cable diameter 4.5...10 mm, cable gland M16 x 1.5

Wiring



Remarks		
Pack quantity	[piece]	1