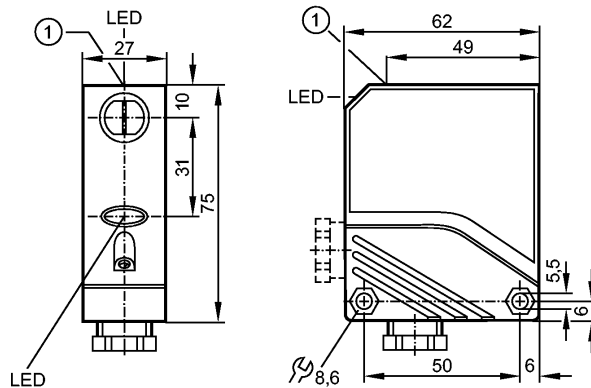




OLS-000A

Photoelectric sensors



1: Pushbutton without function



Product characteristics

Through-beam sensor

Rectangular, plastics

Terminals

Transmitter

Sensing range 25m

Electrical data

Electrical design

Operating voltage [V]

Power consumption [VA]

Type of light

Protection class

Reverse polarity protection

Outputs

Short-circuit proof

Overload protection

Monitoring range

Sensing range [m]

Light spot diameter [mm]

Environment

Ambient temperature [°C]

Protection

Tests / approvals

EMC

MTTF [Years]

Mechanical data

Housing materials

Lens material

Weight [kg]

Displays / operating elements

Power

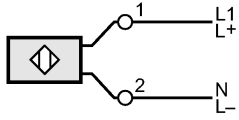
Electrical connection

Connection

Wiring

	AC/DC
Operating voltage [V]	20...250 AC/DC (47...63 Hz AC)
Power consumption [VA]	< 4
Type of light	Infrared light 880 nm
Protection class	II
Reverse polarity protection	no
Outputs	
Short-circuit proof	no
Overload protection	no
Monitoring range	
Sensing range [m]	25
Light spot diameter [mm]	< 2500 (at maximum range)
Environment	
Ambient temperature [°C]	-25...80
Protection	IP 67
Tests / approvals	
EMC	EN 60947-5-2 EN 55011: class B
MTTF [Years]	316
Mechanical data	
Housing materials	PA; PBT
Lens material	PMMA
Weight [kg]	0.162
Displays / operating elements	
Power	green
Electrical connection	
Connection	terminals up to 1.5 mm ² ; cable diameter 4.5...10 mm, cable gland M16 x 1.5

OL0006 - Through-beam sensor - eclass: 27270901 / 27-27-09-01



Remarks

Pack quantity [piece] 1

ifm efector, inc. • 1100 Atwater Drive • Malvern • PA 19355 — We reserve the right to make technical alterations without prior notice. — US — OL0006 — 06.03.2003