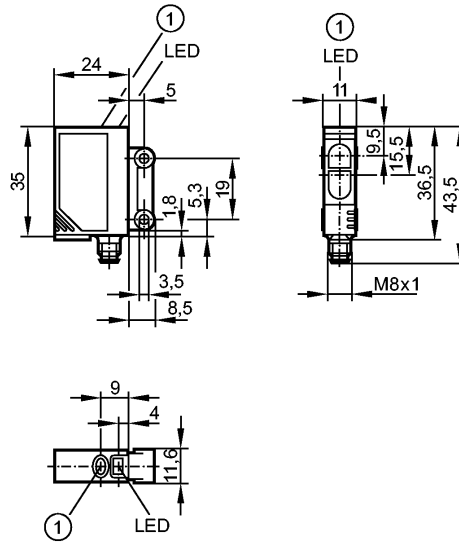


**OJ5158**

OJHLFPKG/SO/AS

Photoelectric sensors



1: pushbutton

Receiver in upper lens, transmitter in lower lens



**Product characteristics**

Diffuse reflection sensor
Rectangular, plastics
Quick disconnect
Electronic lock
External teach function
Background suppression
LASER diffuse reflection sensor
Visible laser light, LASER CLASS 1
Side sensing
Range 7...150mm (Range referred to white paper 200 x 200 mm, 90 % remission)
adjustable

**Electrical data**

Electrical design	DC PNP
Operating voltage [V]	10...30 DC
Current consumption [mA]	13
Type of light	red light 650 nm
Life expectancy typ. [h]	50000
Protection class	III
Reverse polarity protection	yes

**Outputs**

Output function	light-on / dark-on programmable
Voltage drop [V]	< 2.5
Current rating [mA]	200
Short-circuit protection	yes (non-latching)
Overload protection	yes
Switching frequency [Hz]	1000

**Monitoring range**

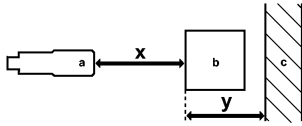
## OJ5158

OJHLFPKG/SO/AS

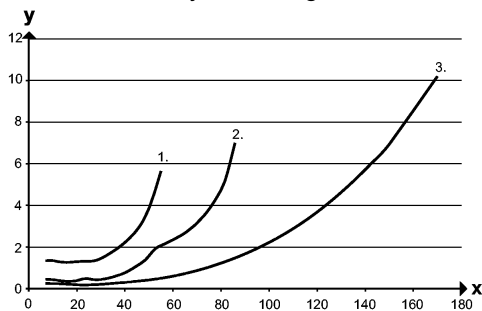
Photoelectric sensors

Range	[mm]	7...150 (Range referred to white paper 200 x 200 mm, 90 % remission)
Smallest detectable object	[mm]	0.8
Light spot diameter	[mm]	0.8

### Background suppression chart



- a: sensor
- b: object
- c: background
- x: distance sensor / object
- y: min. distance object / background



Values in [mm]

- 1 = object black (6 % remission), background white (90 % remission)
- 2 = object gray (18 % remission), background white (90 % remission)
- 3 = object white (90 % remission), background white (90 % remission)

### Environment

Ambient temperature	[°C]	-10...60
Protection		IP 67

### Tests / approvals

EMC		EN 60947-5-2
MTTF	[Years]	501

### Mechanical data

Housing materials		housing: ABS; LED window: SEPS; pushbutton: SEPS
Lens material		PMMA
Weight	[kg]	0.041

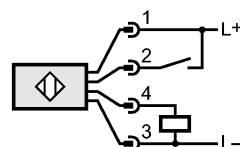
### Displays / operating elements

Output status indication	LED	yellow
Power	LED	green

### Electrical connection

Connection		M8 connector
------------	--	--------------

### Wiring



2: Teach

### Accessories

**OJ5158**

OJHLFPKG/SO/AS

**Photoelectric sensors**

Accessories (included)	2 mounting screws; 2 spring washers; 2 nuts
<b>Remarks</b>	
Remarks	Laser light CLASS 1 LASER PRODUCT IEC 60825-1 : 2007 complies with 21 CFR 1040.10 except for deviations pursuant to Laser Notice No. 50, dated June 2007 cULus - Class 2 source required
Pack quantity [piece]	1