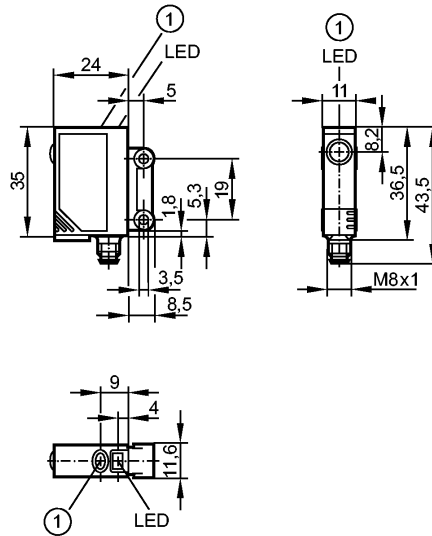


OJ5136

OJPLFPKG/SO/AS

Photoelectric sensors



1: pushbutton



Product characteristics

Retro-reflective sensor
Rectangular, plastics
Quick disconnect
Electronic lock
Retro-reflective LASER sensor
Polarization filter
Visible laser light, LASER CLASS 1
External teach function
Side sensing
Sensing range 8m (Prismatic reflector 50 x 50 mm (E20722))
adjustable

Electrical data

Electrical design	DC PNP
Operating voltage [V]	10...30 DC
Current consumption [mA]	< 15
Type of light	red light 650 nm
Life expectancy typ. [h]	50000
Protection class	III
Reverse polarity protection	yes

Outputs

Output function	light-on / dark-on programmable
Voltage drop [V]	< 2.5
Current rating [mA]	200
Short-circuit protection	yes (non-latching)
Overload protection	yes
Switching frequency [Hz]	2000

Monitoring range

Sensing range [m]	8 (Prismatic reflector 50 x 50 mm (E20722))
-------------------	---

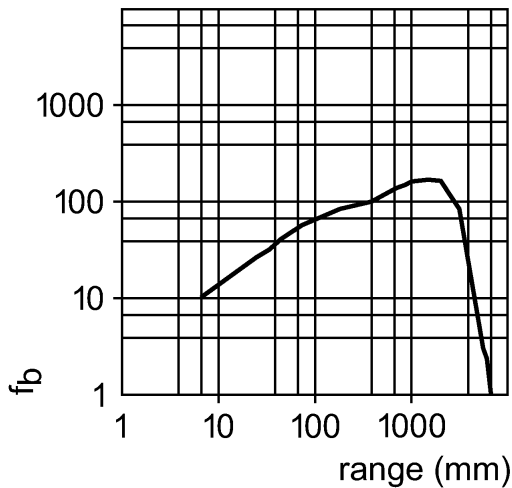
OJ5136

OJPLFPKG/SO/AS

Photoelectric sensors

Smallest detectable object	[mm]	Ø 2.5mm (0.1m) Ø 4mm (2.5m) Ø 8mm (5m)
Light spot diameter	[mm]	< 12 (at maximum range)

Excess gain graphs



Environment

Ambient temperature	[°C]	-10...60
Protection		IP 67

Tests / approvals

EMC		EN 60947-5-2
MTTF	[Years]	697

Mechanical data

Housing materials		housing: ABS; LED window: SEPS; pushbutton: SEPS
Lens material		glass
Weight	[kg]	0.042

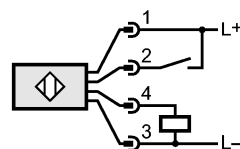
Displays / operating elements

Output status indication	LED	yellow
Power	LED	green
Function display	LED	red

Electrical connection

Connection		M8 connector
------------	--	--------------

Wiring



2: Teach

Accessories

Accessories (included)		2 mounting screws; 2 spring washers; 2 nuts
------------------------	--	---

Remarks

Remarks		Laser light CLASS 1 LASER PRODUCT IEC 60825-1 : 2007
---------	--	--



OJ5136

OJPLFPKG/SO/AS

Photoelectric sensors

complies with 21 CFR 1040.10 except for deviations
pursuant to Laser Notice No. 50, dated June 2007
cULus - Class 2 source required

Pack quantity	[piece]	1
---------------	---------	---