

no longer available - archive entry replaced by: OJ5065

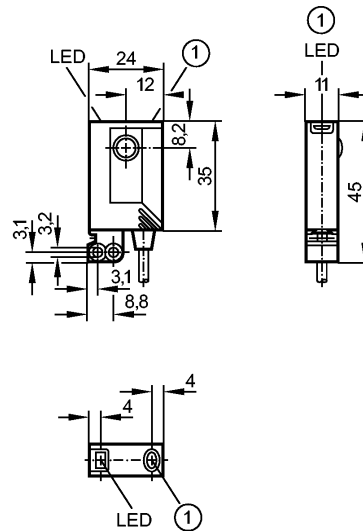
efector200

OJ5064



OJS-OOKG/FO/0.15/US

Photoelectric sensors



1: Pushbutton without function



Product characteristics

Through-beam sensor

Rectangular, plastics

Cable with connector

Front sensing

Transmitter

Sensing range 10m

Electrical data

Electrical design

Operating voltage [V]

Current consumption [mA]

Type of light

Protection class

Reverse polarity protection

Outputs

Overload protection

Monitoring range

Sensing range [m]

Light spot diameter [mm]

Environment

Ambient temperature [°C]

Protection

Tests / approvals

EMC

MTTF [Years]

Mechanical data

Housing materials

Lens material

Weight [kg]

Displays / operating elements

Power

Electrical connection

DC

10...30 DC

< 19

red light 660 nm

III

yes

yes

10

1000 (at maximum range)

-25...60

IP 67

EN 60947-5-2

1773

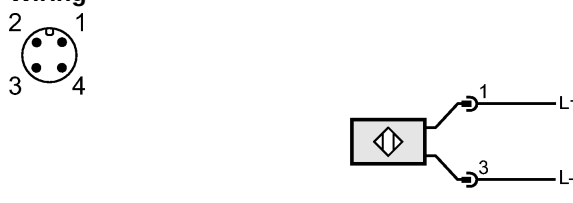
housing: ABS; fixture: diecast zinc; LED window: SEPS; pushbutton: SEPS; connector body: Hytel 8068; connector thread: stainless steel 316L / 1.4404

glass

0.054

green

OJ5064 - Through-beam sensor - eclass: 27270901 / 27-27-09-01

Connection	PUR cable / 0.15 m; gold-plated contacts, with M12 connector
Wiring	
	

Accessories	
Accessories (included)	Basic clip; E20964; 2 mounting screws; M3 x 16; 2 spring washers; 2 nuts
Remarks	
Remarks	cULus - Class 2 source required
Pack quantity	[piece] 1

ifm efector, inc. • 1100 Atwater Drive • Malvern • PA 19355 — We reserve the right to make technical alterations without prior notice. — US — OJ5064 — 15.07.2011
no longer available - archive entryreplaced by: OJ5065