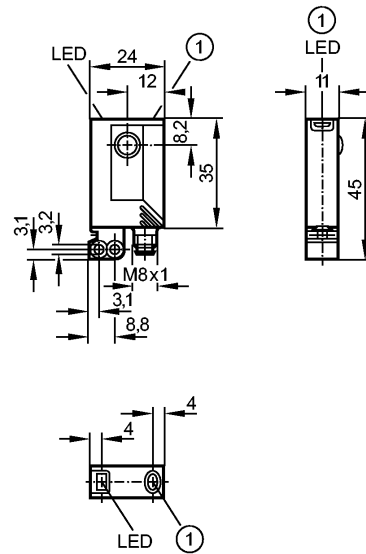


OJ5016

OJSLOOKG/FO/AS

Photoelectric sensors



1: pushbutton



Product characteristics

Through-beam sensor	
Rectangular, plastics	
Quick disconnect	
Visible laser light, LASER CLASS 1	
Front sensing	
Transmitter	
Sensing range 15m	

Electrical data

Electrical design		DC
Operating voltage	[V]	10...30 DC
Current consumption	[mA]	< 12
Type of light		red light 650 nm
Life expectancy typ.	[h]	50000
Protection class		III
Reverse polarity protection		yes

Outputs

Overload protection		yes
---------------------	--	-----

Monitoring range

Sensing range	[m]	15
Light spot diameter	[mm]	< 24 (at maximum range)

Environment

Ambient temperature	[°C]	-10...60
Protection		IP 67

Tests / approvals

EMC		EN 60947-5-2
MTTF	[Years]	918

Mechanical data



OJ5016

OJSLOOKG/FO/AS

Photoelectric sensors

Housing materials	housing: ABS; fixture: diecast zinc; LED window: SEPS; pushbutton: SEPS
Lens material	glass
Weight [kg]	0.044

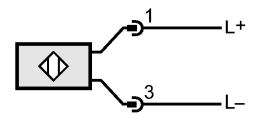
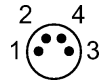
Displays / operating elements

Power LED	green
-----------	-------

Electrical connection

Connection	M8 connector
------------	--------------

Wiring



Accessories

Accessories (included)	Basic clip; E20964; 2 mounting screws; M3 x 16; 2 spring washers; 2 nuts
------------------------	--

Remarks

Remarks	<p>Laser light CLASS 1 LASER PRODUCT IEC 60825-1 : 2007 complies with 21 CFR 1040.10 except for deviations pursuant to Laser Notice No. 50, dated June 2007 cULus - Class 2 source required</p>
---------	--

Pack quantity [piece]	1
-----------------------	---