

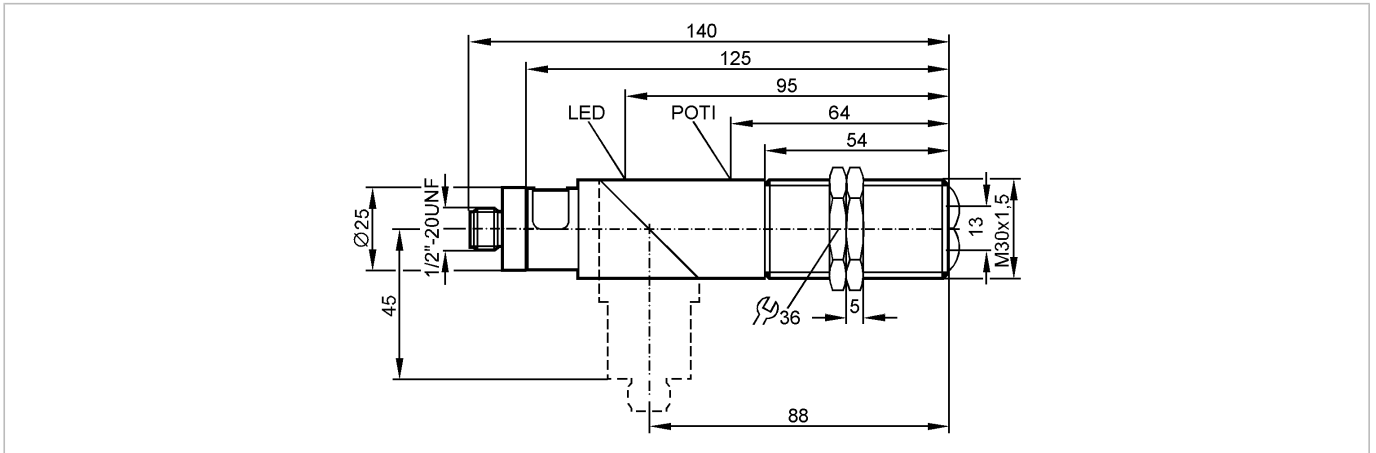
no longer available - archive entry

efector200

OI3511



Photoelectric sensors



Product characteristics

Retro-reflective sensor

Threaded type

M30 x 1.5

Quick disconnect

Sensing range 4m (Prismatic reflector Ø 80 (E20005))

adjustable

Electrical data

Electrical design

AC

Operating voltage [V]

20...250 AC (47...63 Hz)

Reverse polarity protection

no

Outputs

Output function

light-on / dark-on programmable

Voltage drop [V]

< 4

Leakage current [mA]

< 12

Current rating

- Current rating (continuous) [mA]

300

- Current rating (peak) [mA]

î: 2.2 A (10 ms / 0.5 Hz)

Short-circuit protection

no

Overload protection

no

Switching frequency [Hz]

15

Monitoring range

Sensing range [m]

4 (Prismatic reflector Ø 80 (E20005))

Environment

Ambient temperature [°C]

-25...60

Protection

IP 65

Tests / approvals

EMC

EN 60947-5-2

EN 55011:

class B

Mechanical data

Housing materials

modified PPO

Lens material

PMMA

Displays / operating elements

Output status indication LED

yellow

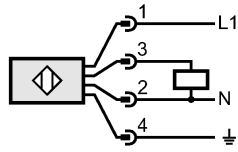
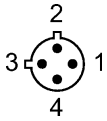
Electrical connection

Connection

1/2" connector

Wiring

OI3511 - Retro-reflective sensor - eclass: 27270902 / 27-27-09-02



Accessories

Accessories (included)

2 lock nuts; screwdriver

Remarks

Pack quantity

[piece]

1

ifm efector, inc. • 1100 Atwater Drive • Malvern • PA 19355 — We reserve the right to make technical alterations without prior notice. — US — OI3511 — 06.03.2003
no longer available - archive entry