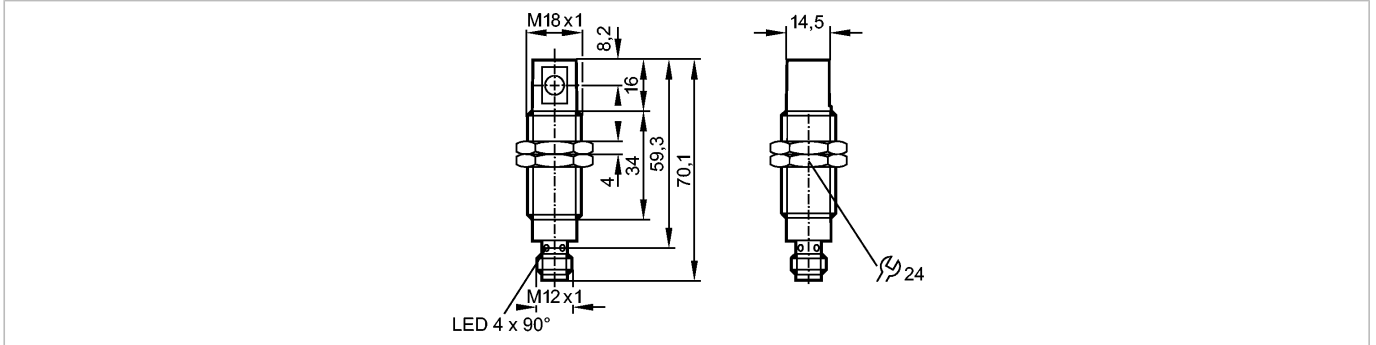




OGE-DPKG/US/90°

Photoelectric sensors



Product characteristics

Through-beam sensor

Threaded type

Quick disconnect

Receiver

Sensing range 9m

Electrical data

Electrical design

Operating voltage [V]

Current consumption [mA]

Type of light

Protection class

Reverse polarity protection

Outputs

Output function

Voltage drop [V]

Current rating [mA]

Short-circuit protection

Overload protection

Switching frequency [Hz]

Monitoring range

Sensing range [m]

Environment

Ambient temperature [°C]

Protection

Tests / approvals

EMC

MTTF [Years]

Mechanical data

Housing materials

Lens material

Weight [kg]

Displays / operating elements

Output status indication LED

Power LED

Electrical connection

Connection

Wiring

DC PNP

10...30 DC

< 12

red light 660 nm

II

yes

dark-on mode

< 2.5

200

yes (non-latching)

yes

500

9

-25...60

IP 68

EN 60947-5-2

EN 55011:

class B

953

high-grade stainless steel; ABS

PMMA

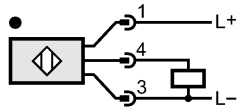
0.065

yellow

green

M12 connector

OG5128 - Through-beam sensor - eclass: 27270901 / 27-27-09-01



Accessories

Accessories (included) | 2 nuts; 2 lock washers (Steel galvanized)

Remarks

Pack quantity [piece] | 1