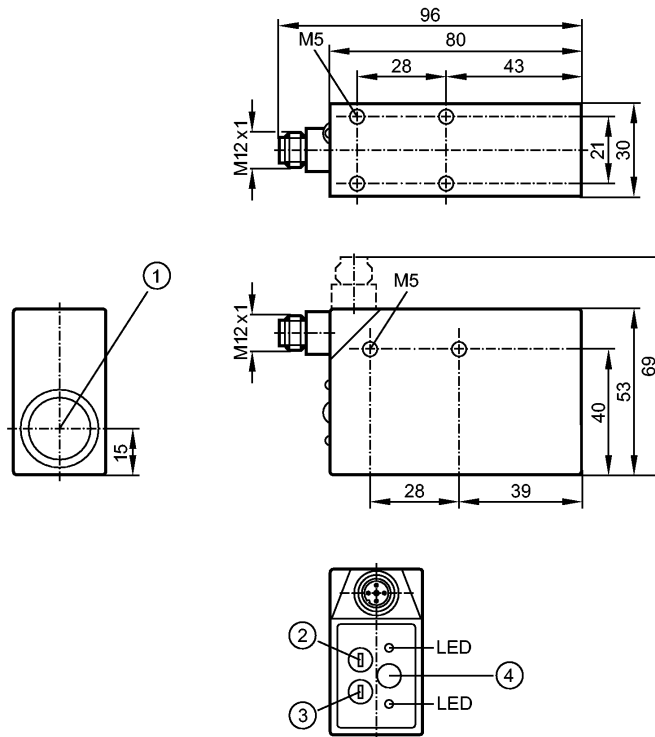




ODC-MPKG/US-100

Photoelectric sensors



- 1: lens
- 2: selection switch color tolerance
- 3: programming selector switch
- 4: teach button



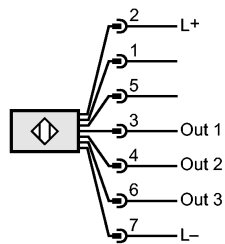
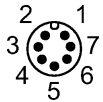
Product characteristics

Color sensor	
Rectangular Metal	
Quick disconnect	
Color detection diffuse and retro	
Teach-in method, 3 colours programmable, color resolution to be set	
Sensing range 100...250mm (in retro-reflective mode)	
Range 12.5mm (± 2, in diffuse reflection mode)	
Electrical data	
Electrical design	DC PNP
Operating voltage [V]	12...30 DC
Residual ripple [Vss]	< 5
Current consumption [mA]	80
Type of light	red light; green light; blue light
Life expectancy typ. [h]	100000 (25 °C)
Protection class	II
Type of operation	to be selected: permanent or synchronized (deactivated) 20 ms switch-off delay
Inputs	
Input external teach ET	reference colour is programmed via input wire ET activate Teach-in : 12...30 V RUN mode: 0...2 V pulse duration: > 0.5 ms

OD5009 - Color sensor - eclass: 27270907 / 27-27-09-07

Input AT activation trigger	sensor deactivated: 12...30 V sensor activated: 0...2 V response time: < 0.2 ms	
Outputs		
Voltage drop [V]	2	
Current rating [mA]	100	
Switching frequency [Hz]	300	
Monitoring range		
Sensing range [m]	0.1...0.25 (in retro-reflective mode)	
Range referred to prismatic reflector[m]	80 x 80 mm 0.1...0.25 31 x 46 mm 0.05...0.15	
Range [mm]	12.5 (± 2, in diffuse reflection mode)	
Light spot diameter [mm]	2 x 4 (Range 12.5 mm)	
Reaction times		
Response time [ms]	< 2.5	
Environment		
Immunity to extraneous light [klx]	20	
Ambient temperature [°C]	-10...55	
Protection	IP 67	
Tests / approvals		
EMC	EN 60947-5-2	
Mechanical data		
Housing materials	diecast zinc	
Lens material	glass	
Weight [kg]	0.379	
Displays / operating elements		
Power LED	green	
Function display LED	yellow	
Electrical connection		
Connection	M12 connector	

Wiring



1: Input AT activation trigger
5: input "External Teach"

Remarks		
Pack quantity [piece]	1	