

no longer available - archive entry

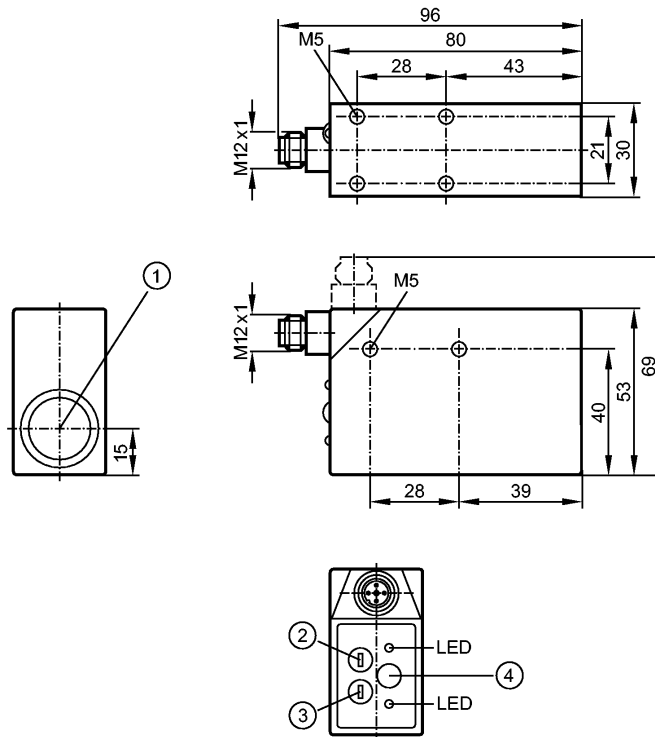
efector200

OD5008



ODC-MNKG/US-100

Photoelectric sensors



- 1: lens
- 2: selection switch color tolerance
- 3: programming selector switch
- 4: teach button



Product characteristics

Color sensor

Rectangular Metal

Quick disconnect

Color detection diffuse and retro

Teach-in method, 1 colour programmable, color resolution to be set

Sensing range 250...1000mm (in retro-reflective mode)

Range 60mm (± 9, in diffuse reflection mode)

Electrical data

Electrical design

DC NPN

Operating voltage [V]

12...30 DC

Residual ripple [Vss]

< 5

Current consumption [mA]

80

Type of light

red light; green light; blue light

Life expectancy typ. [h]

100000 (25 °C)

Protection class

II

Type of operation

to be selected: permanent or synchronized (deactivated)
20 ms switch-off delay

Inputs

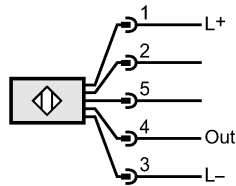
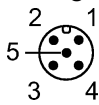
Input external teach ET

Reference color is programmed via input wire ET
activate Teach-in: 0...2 V
RUN mode: 12...30 V
pulse duration: > 0.5 ms

OD5008 - Color sensor - eclass: 27270907 / 27-27-09-07

Input AT activation trigger	sensor deactivated: 0...2 V sensor activated: -12...30 V response time: < 0.2 ms	
Outputs		
Voltage drop [V]	2	
Current rating [mA]	100	
Switching frequency [Hz]	1000	
Monitoring range		
Sensing range [m]	0.25...1 (in retro-reflective mode)	
Range referred to prismatic reflector[m]	80 x 80 mm 0.25...1 31 x 46 mm 0.2...0.75	
Range [mm]	60 (± 9, in diffuse reflection mode)	
Light spot diameter [mm]	13 (Range 60 mm)	
Reaction times		
Response time [ms]	0.7	
Environment		
Immunity to extraneous light [klx]	20	
Ambient temperature [°C]	-10...55	
Protection	IP 67	
Tests / approvals		
EMC	EN 60947-5-2	
Mechanical data		
Housing materials	diecast zinc	
Lens material	glass	
Weight [kg]	0.384	
Displays / operating elements		
Power LED	green	
Function display LED	yellow	
Electrical connection		
Connection	M12 connector	

Wiring



2: Input AT activation trigger
5: input "External Teach"

Remarks		
Pack quantity [piece]	1	