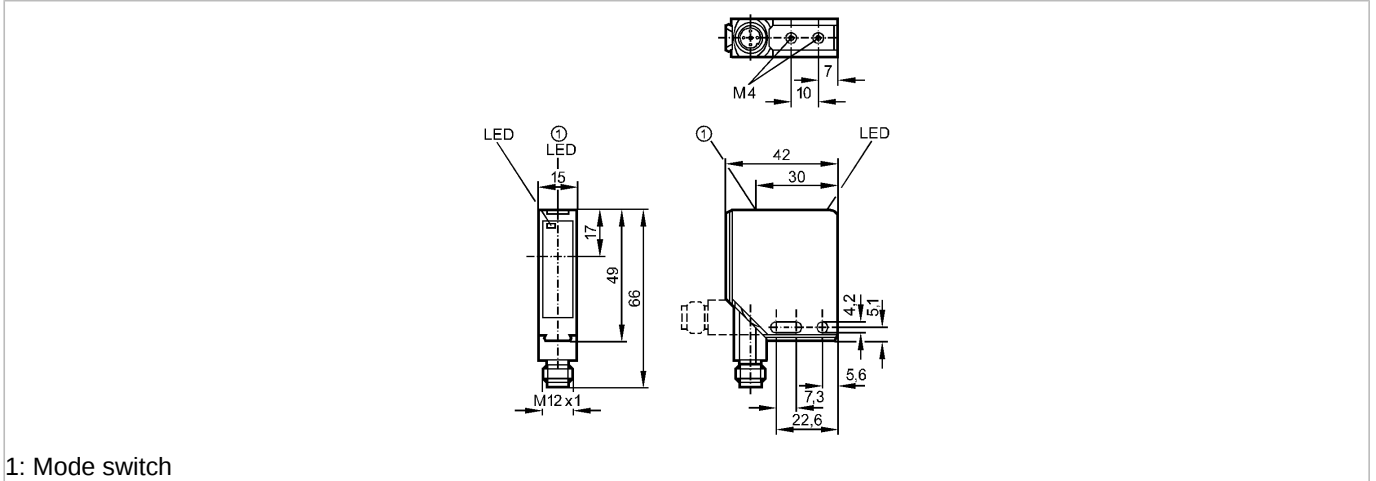




OCPGHNKG/US-100

Photoelectric sensors



1: Mode switch



Product characteristics
 Retro-reflective sensor

Rectangular Metal

Quick disconnect

Polarization filter

Function check output

Sensor for transparent objects

Automatic switch point adjustment

Sensing range 1.5m (Prismatic reflector Ø 80 (E20005))
 adjustable

Electrical data

Electrical design

Operating voltage [V]

Current consumption [mA]

Type of light

Protection class

Reverse polarity protection

Outputs

Output function

Voltage drop [V]

Current rating

- Switching output [mA]

- Function check output [mA]

Short-circuit protection

Overload protection

Switching frequency [Hz]

Monitoring range

Sensing range [m]

Light spot diameter [mm]

Excess gain graphs

DC NPN

10...30 DC

< 80

red light 660 nm

II

yes

light-on mode

< 2

100

100

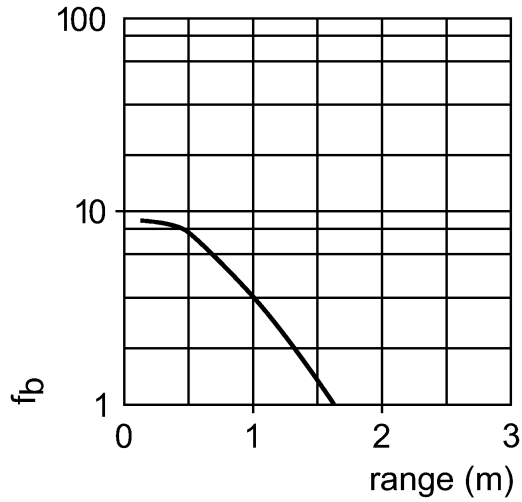
yes (non-latching)

yes

1000

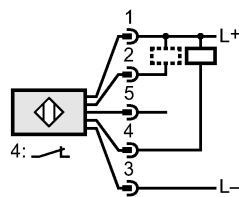
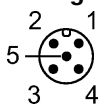
1.5 (Prismatic reflector Ø 80 (E20005))

8x13 (Sensing range 200 mm)



Reaction times		
Response time	[ms]	0.5
Environment		
Ambient temperature	[°C]	-10...55
Protection		IP 67
Tests / approvals		
EMC		EN 60947-5-2
Mechanical data		
Housing materials		diecast zinc
Lens material		PMMA
Weight	[kg]	0.109
Displays / operating elements		
Output status indication	LED	yellow
Electrical connection		
Connection		M12 connector

Wiring



2: function check
5: input "External Teach"

Accessories		
Accessories (included)		screwdriver
Remarks		
Pack quantity	[piece]	1