

no longer available - archive entry Alternative article: O5G500

When selecting an alternative article and accessories please note that technical data may differ!

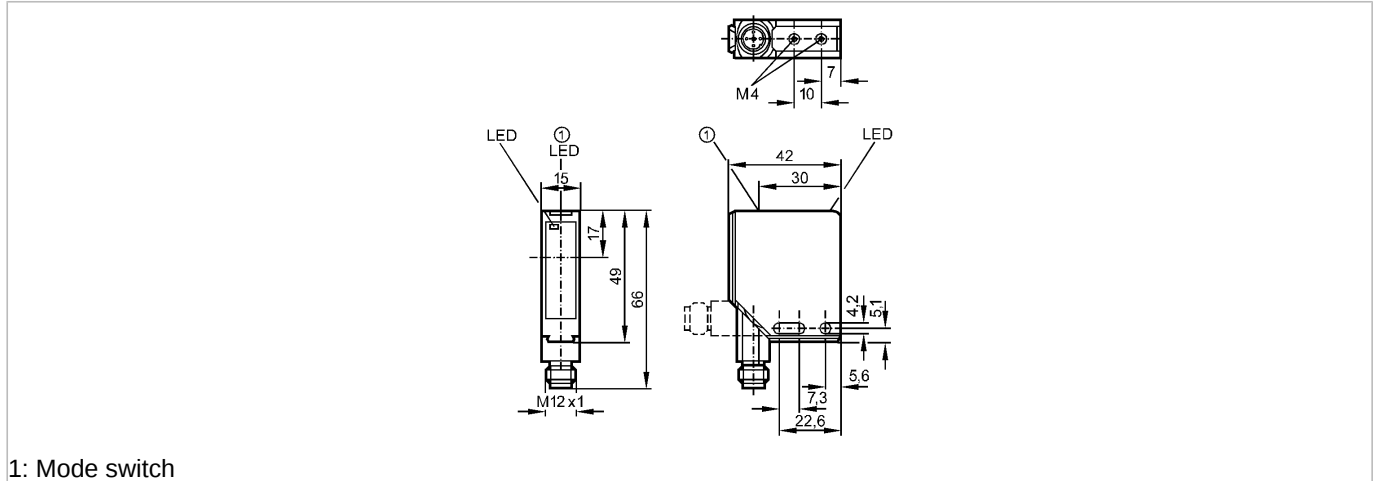
efector200

OC5230



OCPGHPKG/US-100

Photoelectric sensors



1: Mode switch



Product characteristics

Retro-reflective sensor

Rectangular Metal

Quick disconnect

Polarization filter

Function check output

Sensor for transparent objects

Automatic switch point adjustment

Sensing range 1.5m (Prismatic reflector Ø 80 (E20005))

adjustable

Electrical data

Electrical design

DC PNP

Operating voltage [V]

10...30 DC

Current consumption [mA]

< 80

Type of light

red light 660 nm

Protection class

II

Reverse polarity protection

yes

Outputs

Output function

light-on mode

Voltage drop [V]

< 2

Current rating

- Switching output [mA]

100

- Function check output [mA]

100

Short-circuit protection

yes (non-latching)

Overload protection

yes

Switching frequency [Hz]

1000

Monitoring range

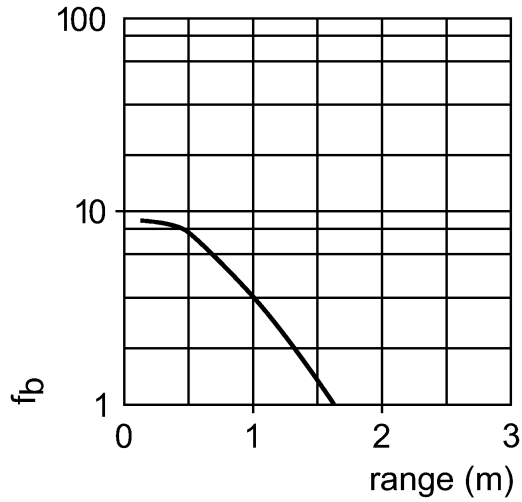
Sensing range [m]

1.5 (Prismatic reflector Ø 80 (E20005))

Light spot diameter [mm]

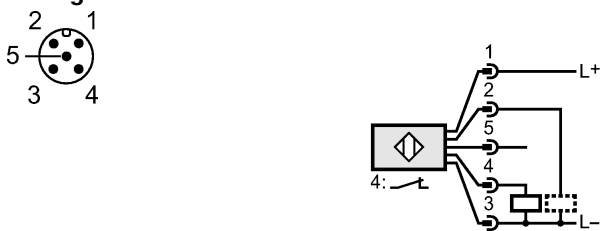
8x13 (Sensing range 200 mm)

Excess gain graphs



Reaction times		
Response time	[ms]	0.5
Environment		
Ambient temperature	[°C]	-10...55
Protection		IP 67
Tests / approvals		
EMC		EN 60947-5-2
Mechanical data		
Housing materials		diecast zinc
Lens material		PMMA
Weight	[kg]	0.109
Displays / operating elements		
Output status indication	LED	yellow
Electrical connection		
Connection		M12 connector

Wiring



2: function check
5: input "External Teach"

Accessories		
Accessories (included)		screwdriver
Remarks		
Pack quantity	[piece]	1