

no longer available - archive entry Alternative article: O5G500

When selecting an alternative article and accessories please note that technical data may differ!

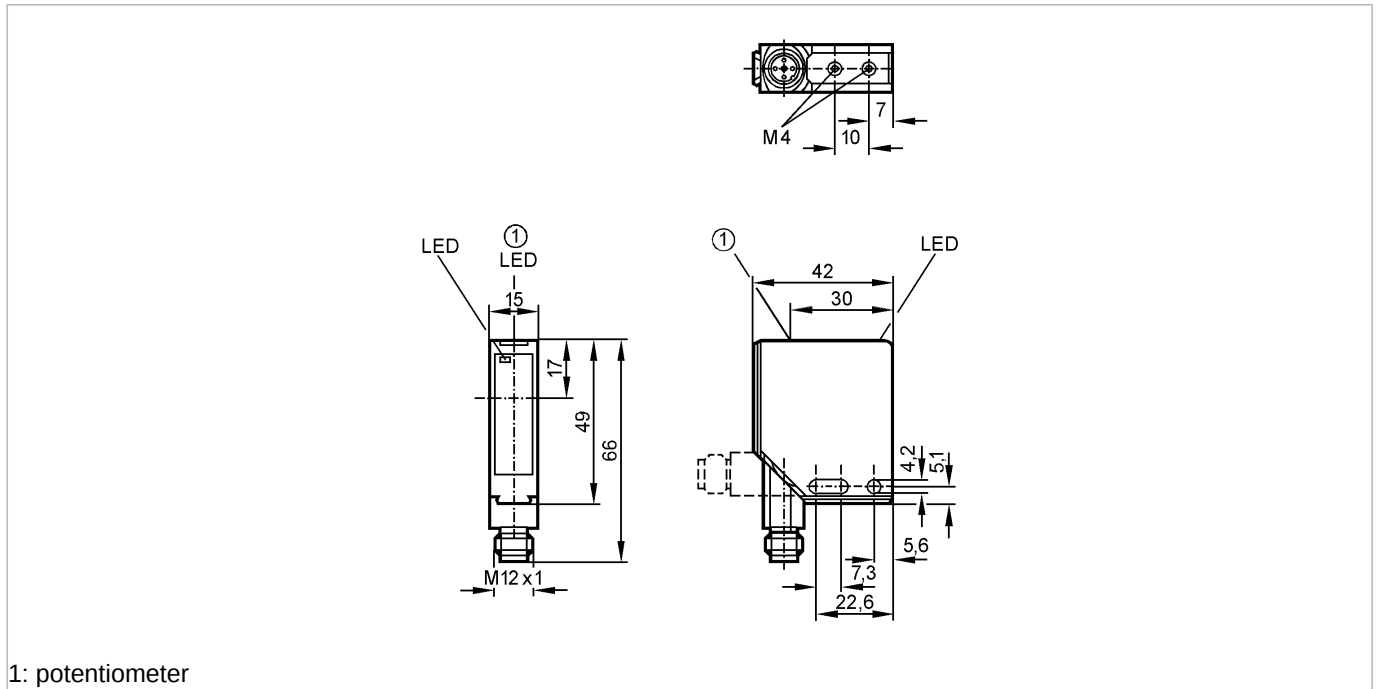
**efector200**

OC5210



OCPGFCKG/US-100

Photoelectric sensors



1: potentiometer



Product characteristics

Retro-reflective sensor

Rectangular Metal

Quick disconnect

Polarization filter

Glass and film detection

Sensing range 3m (Prismatic reflector Ø 80 (E20005))

adjustable

Electrical data

Electrical design

DC PNP/NPN

Operating voltage [V]

10...30 DC

Current consumption [mA]

< 30

Type of light

red light 660 nm

Protection class

II

Reverse polarity protection

yes

Outputs

Output function

light-on / dark-on programmable

Voltage drop [V]

< 2.9

Current rating [mA]

100

Short-circuit protection

yes (non-latching)

Overload protection

yes

Switching frequency [Hz]

1500

Monitoring range

Sensing range [m]

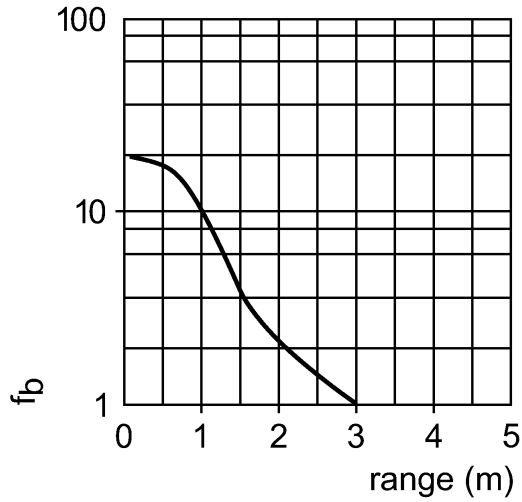
3 (Prismatic reflector Ø 80 (E20005))

Light spot diameter [mm]

60 ( at maximum range )

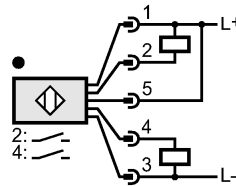
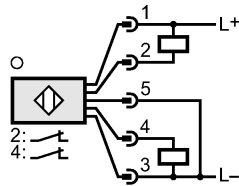
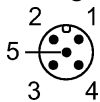
Excess gain graphs

**OC5210 - Retro-reflective sensor - eclass: 27270902 / 27-27-09-02**



Environment	
Ambient temperature [°C]	-40...60
Protection	IP 67
Tests / approvals	
EMC	EN 60947-5-2
Mechanical data	
Housing materials	diecast zinc
Lens material	PMMA
Weight [kg]	0.102
Displays / operating elements	
Output status indication LED	yellow
Electrical connection	
Connection	M12 connector

**Wiring**



Accessories	
Accessories (included)	screwdriver
Remarks	
Pack quantity [piece]	1

ifm efector, inc. • 1100 Atwater Drive • Malvern • PA 19355 — We reserve the right to make technical alterations without prior notice. — US — OC5210 — 20.03.2006  
 no longer available - archive entry Alternative article: O5G500

When selecting an alternative article and accessories please note that technical data may differ!