

no longer available - archive entry Alternative article: O5E500

When selecting an alternative article and accessories please note that technical data may differ!

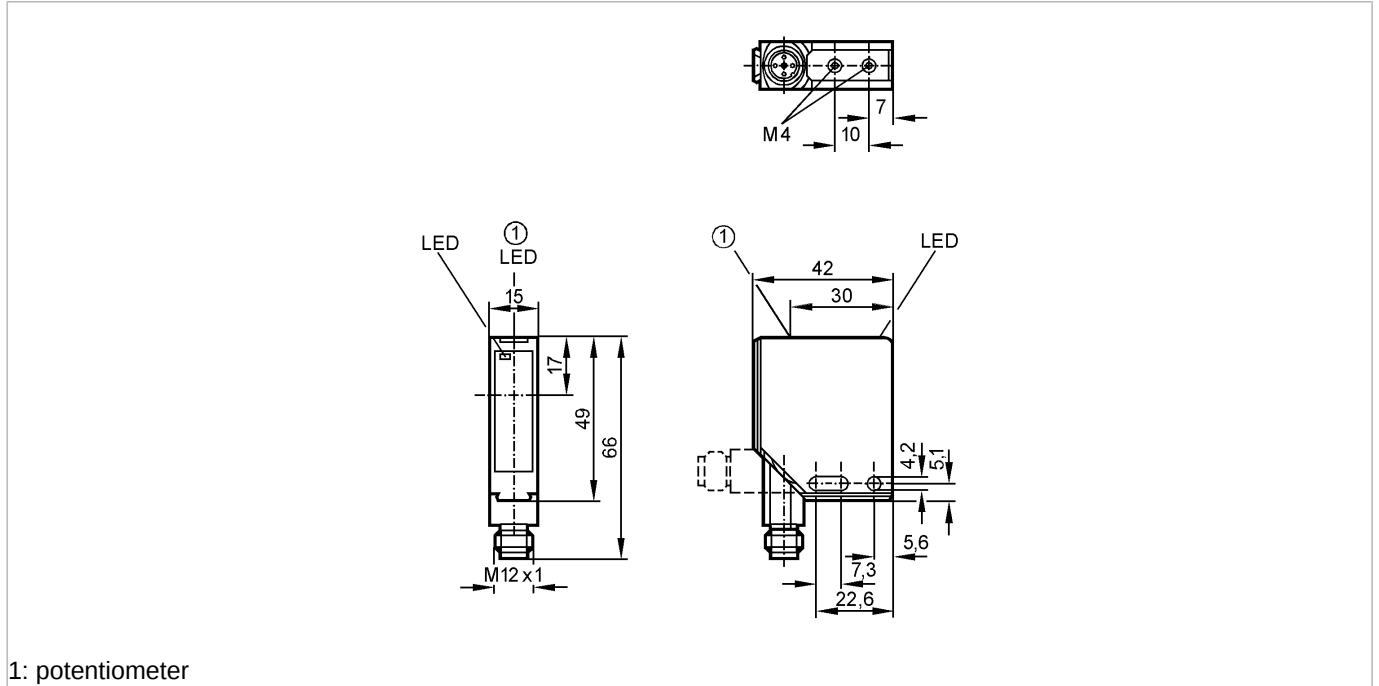
efector200

OC5204



OCE-CPKG/US-100

Photoelectric sensors



1: potentiometer



Product characteristics

Through-beam sensor

Rectangular Metal

Quick disconnect

Receiver

Sensing range 20m

adjustable

Electrical data

Electrical design

DC PNP

Operating voltage [V]

10...30 DC

Current consumption [mA]

< 15

Type of light

red light 660 nm

Protection class

II

Reverse polarity protection

yes

Outputs

Output function

complementary

Voltage drop [V]

< 2.9

Current rating [mA]

100

Short-circuit protection

yes (non-latching)

Overload protection

yes

Switching frequency [Hz]

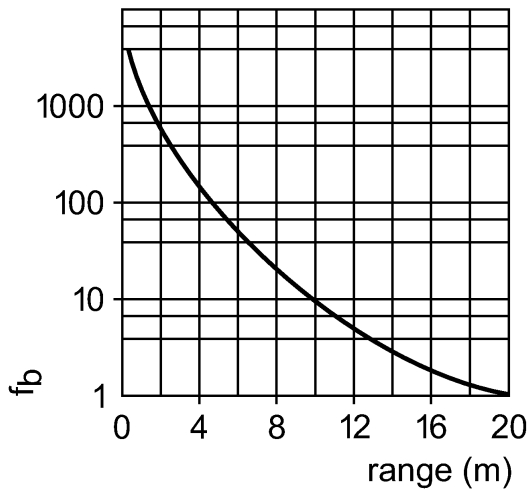
1500

Monitoring range

Sensing range [m]

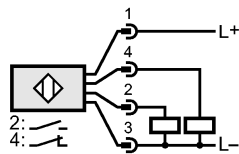
20

Excess gain graphs



Environment	
Ambient temperature [°C]	-40...60
Protection	IP 67
Tests / approvals	
EMC	EN 60947-5-2
Mechanical data	
Housing materials	diecast zinc
Lens material	PMMA
Weight [kg]	0.104
Displays / operating elements	
Output status indication LED	yellow (permanently lit)
Function display LED	yellow (flashing)
Electrical connection	
Connection	M12 connector

Wiring



Accessories	
Accessories (included)	screwdriver
Remarks	
Pack quantity [piece]	1