



Model Number

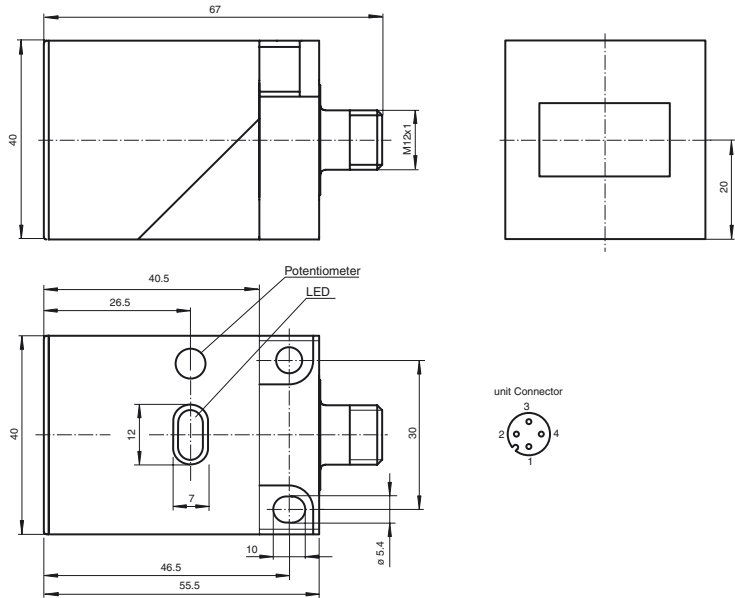
OBT200-L2F-E5-V1

Diffuse mode sensor
with 4-pin, M12 x 1 connector

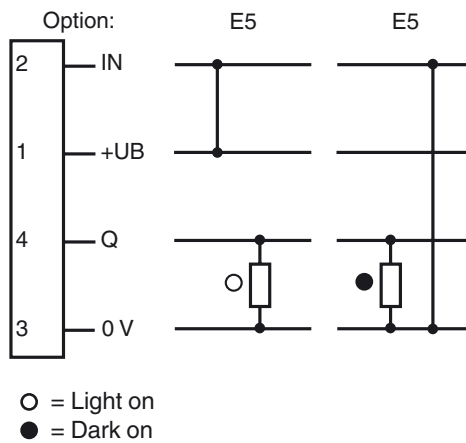
Features

- Sensor for the detection of round, strongly reflecting objects.
- Suitable for detecting gaps between glasses or PET bottles
- Objects arranged in a row can be detected without interruption of the signal
- The gap width can be adjusted via a potentiometer (Range 5 ... 20 mm)

Dimensions



Electrical connection



Release date: 2015-02-05 14:43 Date of issue: 2015-02-05 098491_eng.xml

Refer to "General Notes Relating to Pepperl+Fuchs Product Information".

Pepperl+Fuchs Group
www.pepperl-fuchs.com

USA: +1 330 486 0001
fa-info@us.pepperl-fuchs.com

Germany: +49 621 776 4411
fa-info@de.pepperl-fuchs.com

Singapore: +65 6779 9091
fa-info@sg.pepperl-fuchs.com

Technical data**General specifications**

Detection range	10 ... 30 mm
Adjustment range	5 ... 20 mm
Reference target	PET bottle
Light source	LED
Light type	modulated visible red light
Operating mode	light/dark on, programmable
Ambient light limit	10000 Lux

Indicators/operating means

Function indicator	LED yellow: switching state LED red: pre-fault indication
Control elements	sensitivity adjustment (Gap between the bottles)

Electrical specifications

Operating voltage	U_B	10 ... 30 V DC
Ripple		10 %
No-load supply current	I_0	≤ 30 mA
Time delay before availability	t_v	≤ 80 ms

Input

Control input	light on +UB dark on: 0 V
---------------	------------------------------

Output

Switching type	light/dark on	
Signal output	1 PNP, complementary short-circuit protected, reverse polarity protected (E5)	
Switching voltage	max. 30 V DC	
Switching current	max. 200 mA	
Voltage drop	U_d	≤ 2.5 V
Switch-on delay	t_{on}	≥ 1 ms
Switching frequency	f	≤ 100 Hz
Response time		≤ 5 ms

Ambient conditions

Ambient temperature	0 ... 50 °C (32 ... 122 °F)
Storage temperature	-40 ... 80 °C (-40 ... 176 °F)

Mechanical specifications

Degree of protection	IP67
Connection	4-pin, M12 x 1 connector
Material	
Housing	PBT
Optical face	scratch resistant plastic lens
Mass	60 g

Compliance with standards and directives

Standard conformity	
Product standard	EN 60947-5-2

Approvals and certificates

CE conformity	yes
CCC approval	CCC approval / marking not required for products rated ≤36 V

The sensor detects the distance between curved, strongly reflecting objects (e.g. bottles).
The switch output is activated, if the distance between the objects exceeds a preset value.
The value can be adjusted, via the potentiometer, within the limits 5 ... 20 mm.