

no longer available - archive entry Alternative article: OBF507

When selecting an alternative article and accessories please note that technical data may differ!

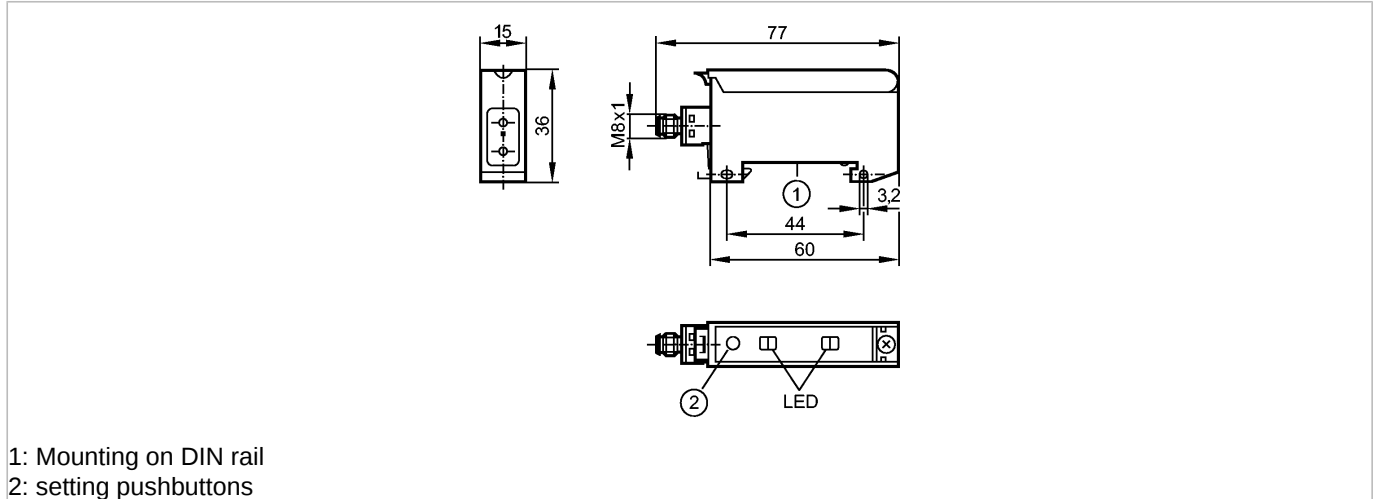
efector200

OB5029



OBF-FPKG/AS

Photoelectric sensors



1: Mounting on DIN rail
2: setting pushbuttons



Product characteristics

Fiber-optic amplifier

Rectangular, plastics

Quick disconnect

For fiber optics with metal sheath

for FE/FT-50 fibres

Sensing range 0...1000mm (Through-beam sensor)

Range 0...150mm (Diffuse reflection sensor)

adjustable

Electrical data

Electrical design

DC PNP

Operating voltage [V]

10...30 DC

Current consumption [mA]

< 35

Type of light

red light 660 nm

Protection class

III

Reverse polarity protection

yes

Outputs

Output function

light-on / dark-on programmable

Voltage drop [V]

< 2.5

Current rating [mA]

100

Short-circuit protection

yes (non-latching)

Overload protection

yes

Switching frequency [Hz]

500

Monitoring range

Sensing range [m]

0...1 (Through-beam sensor)

Range [mm]

0...150 (Diffuse reflection sensor)

Environment

Ambient temperature [°C]

-25...60

Protection

IP 65

Tests / approvals

EMC

EN 60947-5-2

MTTF [Years]

515

Mechanical data

Housing materials

ABS

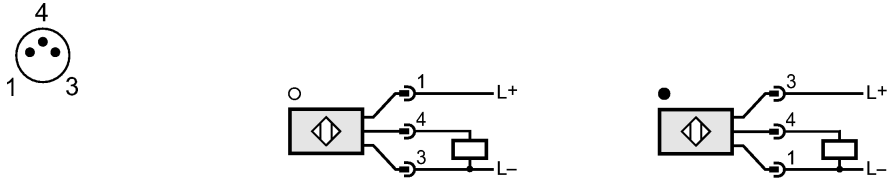
Lens material

PMMA

OB5029 - Fiber-optic amplifier - eclass: 27270905 / 27-27-09-05

Weight	[kg]	0.057
Displays / operating elements		
Output status indication	LED	yellow
Power	LED	green
Unsafe zone	LED	red
Electrical connection		
Connection		M8 connector

Wiring



Remarks	
Remarks	<p>When through-beam fibre optics are connected light-on mode means the output function "NC" and when diffuse reflection fibre optics are connected the output function "NO".</p> <p>When through-beam fibre optics are connected dark-on mode means the output function "NO" and when diffuse reflection fibre optics are connected the output function "NC"</p>

Pack quantity	[piece]	1
---------------	---------	---

ifm efector, inc. • 1100 Atwater Drive • Malvern • PA 19355 — We reserve the right to make technical alterations without prior notice. — US — OB5029 — 24.06.2008
no longer available - archive entryAlternative article: OBF507

When selecting an alternative article and accessories please note that technical data may differ!