

no longer available - archive entry Alternative article: OBF505

When selecting an alternative article and accessories please note that technical data may differ!

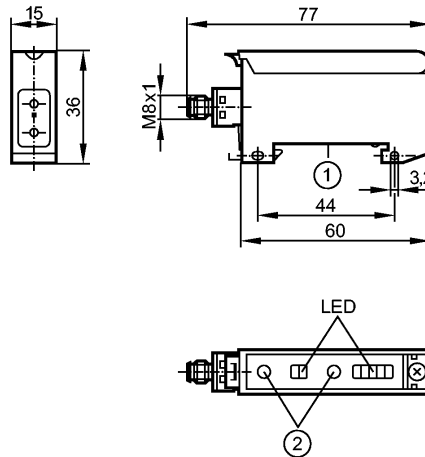
efector200

OB5028



OBF-FPKG/T/AS

Photoelectric sensors



- 1: Mounting on DIN rail
- 2: setting pushbuttons



Product characteristics

Fiber-optic amplifier
Rectangular, plastics
Quick disconnect
Function check output
excess gain LEDs
For fiber optics with metal sheath
for FE/FT-50 fibres
Sensing range 0...1000mm (Through-beam sensor)
Range 0...150mm (Diffuse reflection sensor)
adjustable

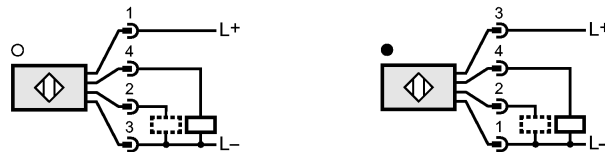
Electrical data

Electrical design	DC PNP
Operating voltage [V]	10...36 DC
Current consumption [mA]	< 35
Type of light	red light 660 nm
Protection class	III
Reverse polarity protection	yes
Outputs	
Output function	light-on / dark-on programmable
Voltage drop	
- Switching output [V]	< 2.5
- Function check output [V]	< 3.5
Current rating	
- Switching output [mA]	100
- Function check output [mA]	10
Short-circuit protection	yes (non-latching)
Overload protection	yes
Switching frequency [Hz]	500
Timer [s]	0.002...0.09
Monitoring range	
Sensing range [m]	0...1 (Through-beam sensor)
Range [mm]	0...150 (Diffuse reflection sensor)

OB5028 - Fiber-optic amplifier - eclass: 27270905 / 27-27-09-05

Environment		
Ambient temperature	[°C]	-25...60
Protection		IP 65
Tests / approvals		
EMC		EN 60947-5-2 EN 55011: class B
MTTF	[Years]	440
Mechanical data		
Housing materials		ABS
Lens material		PMMA
Weight	[kg]	0.06
Displays / operating elements		
Output status indication	LED	yellow
Power	LED	green
Unsafe zone	LED	red
Excess gain	LED	4 x green
Electrical connection		
Connection		M8 connector

Wiring



2: function check

Remarks	
Remarks	<p>When through-beam fibre optics are connected light-on mode means the output function "NC" and when diffuse reflection fibre optics are connected the output function "NO".</p> <p>When through-beam fibre optics are connected dark-on mode means the output function "NO" and when diffuse reflection fibre optics are connected the output function "NC"</p>
Pack quantity	[piece] 1

ifm efector, inc. • 1100 Atwater Drive • Malvern • PA 19355 — We reserve the right to make technical alterations without prior notice. — US — OB5028 — 06.03.2003

no longer available - archive entryAlternative article: OBF505

When selecting an alternative article and accessories please note that technical data may differ!