

no longer available - archive entry replaced by: OBF501

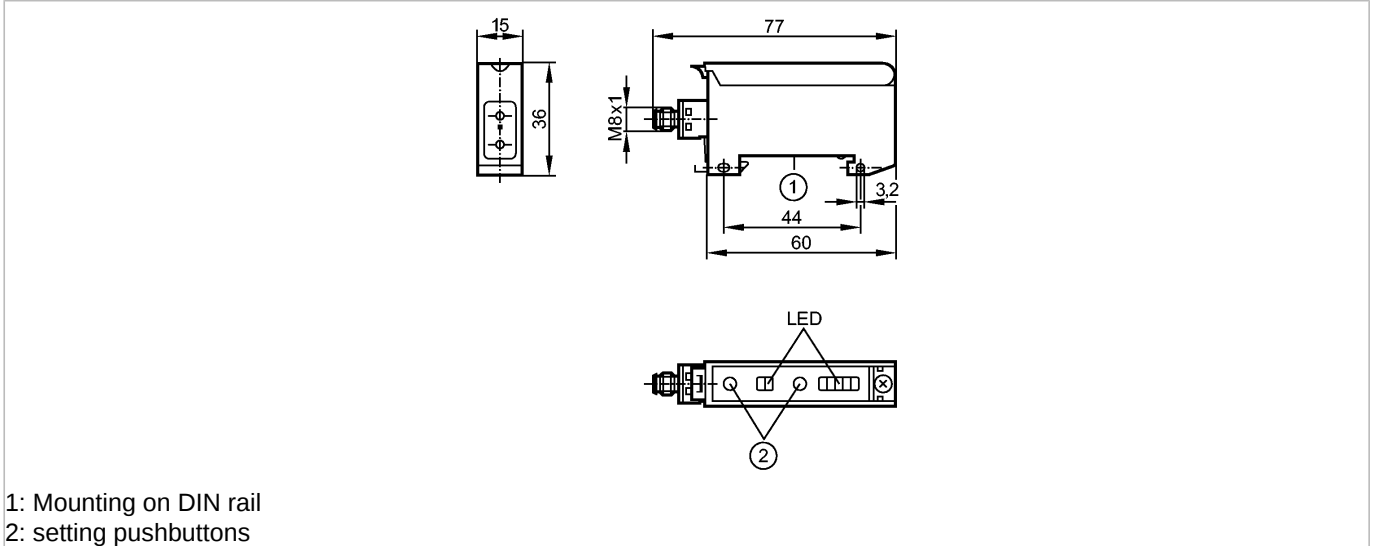
efector200

OB5024



OBF-FPKG/T/AS-610

Photoelectric sensors



1: Mounting on DIN rail
2: setting pushbuttons



Product characteristics

Fiber-optic amplifier

Rectangular, plastics

Quick disconnect

For fiber optics with plastic sheath

Series FE/FT-11

Function check output

Sensing range 0...1200mm (Through-beam sensor)

Range 0...70mm (Diffuse reflection sensor)

adjustable

Electrical data

Electrical design

DC PNP

Operating voltage [V]

10...36 DC

Current consumption [mA]

35 (24 V)

Type of light

red light 660 nm

Protection class

III

Reverse polarity protection

yes

Outputs

Output function

light-on / dark-on programmable

Voltage drop

- Switching output [V]

< 2.5

- Function check output [V]

< 3.5

Current rating

- Switching output [mA]

100

- Function check output [mA]

10

Short-circuit protection

yes (non-latching)

Overload protection

yes

Switching frequency [Hz]

500

Timer [s]

0.002...0.09

Monitoring range

Sensing range [m]

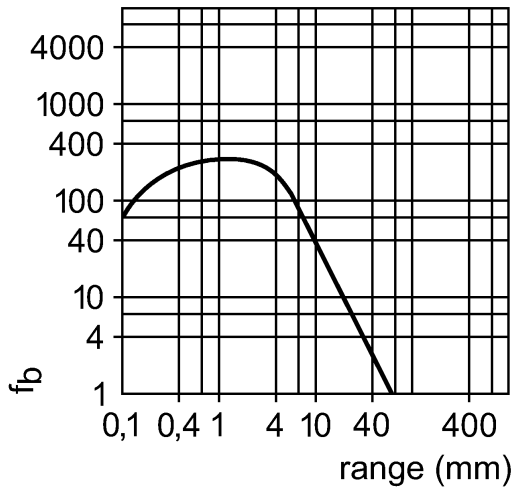
0...1.2 (Through-beam sensor)

Range [mm]

0...70 (Diffuse reflection sensor)

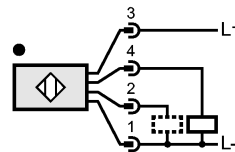
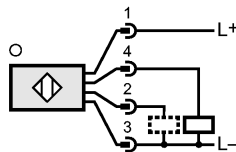
Excess gain graphs

OB5024 - Fiber-optic amplifier - eclass: 27270905 / 27-27-09-05



Environment		
Ambient temperature	[°C]	-25...60
Protection		IP 65
Tests / approvals		
EMC		EN 60947-5-2 EN 55011: class B
MTTF	[Years]	440
Mechanical data		
Housing materials		ABS
Weight	[kg]	0.06
Displays / operating elements		
Output status indication	LED	yellow
Power	LED	green
Unsafe zone	LED	red
Excess gain	LED	4 x green
Electrical connection		
Connection		M8 connector

Wiring



2: function check

Remarks	
Remarks	<p>When through-beam fibre optics are connected light-on mode means the output function "NC" and when diffuse reflection fibre optics are connected the output function "NO".</p> <p>When through-beam fibre optics are connected dark-on mode means the output function "NO" and when diffuse reflection fibre optics are connected the output function "NC"</p>

Pack quantity	[piece]	1
---------------	---------	---