

no longer available - archive entry Alternative article: OBF502

When selecting an alternative article and accessories please note that technical data may differ!

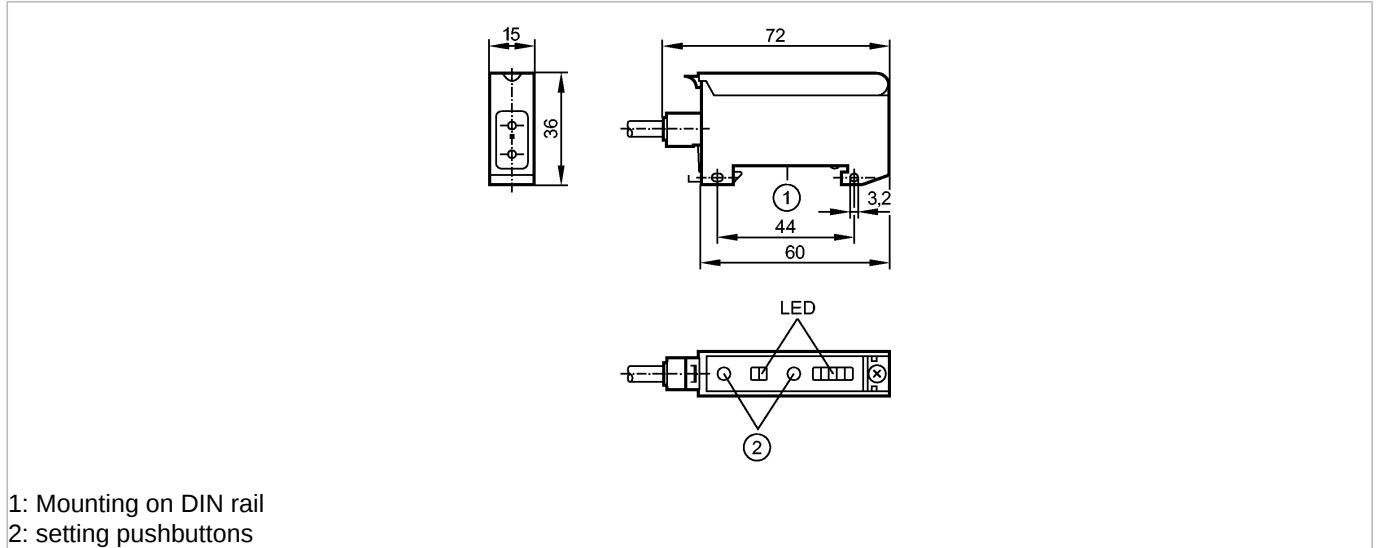
efector200

OB5019



OBF-FPKG

Photoelectric sensors



- 1: Mounting on DIN rail
- 2: setting pushbuttons



Product characteristics

Fiber-optic amplifier

Rectangular, plastics

Cable

For fiber optics with plastic sheath

Series FE/FT-11

Sensing range 0...1000mm (Through-beam sensor)

Range 0...50mm (Diffuse reflection sensor)

adjustable

Electrical data

Electrical design

DC PNP

Operating voltage [V]

10...30 DC

Current consumption [mA]

35 (24 V)

Type of light

red light 660 nm

Protection class

II

Reverse polarity protection

yes

Outputs

Output function

light-on / dark-on programmable

Voltage drop [V]

< 2.5

Current rating [mA]

100

Short-circuit protection

yes (non-latching)

Overload protection

yes

Switching frequency [Hz]

500

Monitoring range

Sensing range [m]

0...1 (Through-beam sensor)

Range [mm]

0...50 (Diffuse reflection sensor)

Environment

Ambient temperature [°C]

-25...60

Protection

IP 65

Tests / approvals

EMC

EN 60947-5-2

MTTF

[Years]

515

Mechanical data

OB5019 - Fiber-optic amplifier - eclass: 27270905 / 27-27-09-05

Housing materials		Noryl
Weight	[kg]	0.13
Displays / operating elements		
Output status indication	LED	yellow
Power	LED	green
Unsafe zone	LED	red
Electrical connection		
Connection		PVC cable / 2 m; 3 x 0.34 mm ²

Wiring

Core colors

BN brown

BU blue

BK black



Remarks

Remarks

When through-beam fibre optics are connected light-on mode means the output function "NC" and when diffuse reflection fibre optics are connected the output function "NO".
 When through-beam fibre optics are connected dark-on mode means the output function "NO" and when diffuse reflection fibre optics are connected the output function "NC"
 cULus - Class 2 source required

Pack quantity [piece]

1

ifm efector, inc. • 1100 Atwater Drive • Malvern • PA 19355 — We reserve the right to make technical alterations without prior notice. — US — OB5019 — 24.06.2008
 no longer available - archive entryAlternative article: OBF502

When selecting an alternative article and accessories please note that technical data may differ!