

no longer available - archive entry replaced by: OBF502

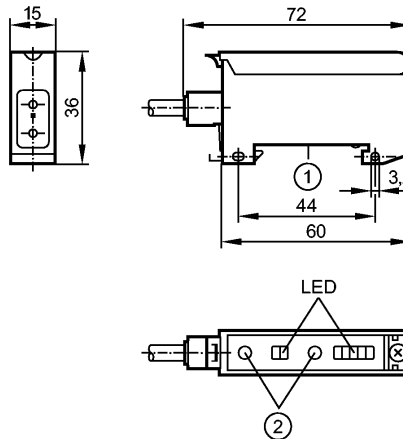
efector200

OB5011



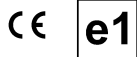
OBF-FPKG/T

Photoelectric sensors



1: Mounting on DIN rail

2: setting pushbuttons



Product characteristics

Fiber-optic amplifier

Rectangular, plastics

Cable

For fiber optics with plastic sheath

Series FE/FT-11

Function check output

Sensing range 0...1200mm (Through-beam sensor)

Range 0...70mm (Diffuse reflection sensor)

adjustable

Electrical data

Electrical design

DC PNP

Operating voltage [V]

10...36 DC

Current consumption [mA]

35 (36 V)

Type of light

red light 660 nm

Protection class

II

Reverse polarity protection

yes

Outputs

Output function

light-on / dark-on programmable

Voltage drop

- Switching output [V]

< 2.5

- Function check output [V]

< 3.5

Current rating

- Switching output [mA]

100

- Function check output [mA]

10

Short-circuit protection

yes (non-latching)

Overload protection

yes

Switching frequency [Hz]

500

Timer [s]

0.002...0.09

Monitoring range

Sensing range [m]

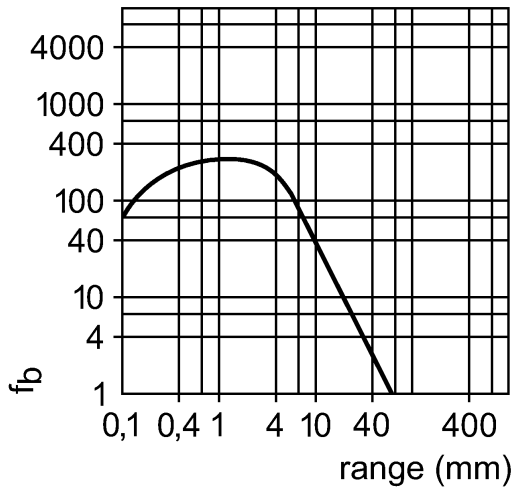
0...1.2 (Through-beam sensor)

Range [mm]

0...70 (Diffuse reflection sensor)

Excess gain graphs

OB5011 - Fiber-optic amplifier - eclass: 27270905 / 27-27-09-05

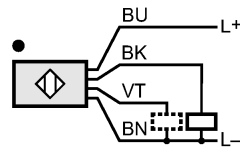
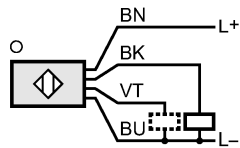


Environment	
Ambient temperature [°C]	-25...60
Protection	IP 65
Tests / approvals	
EMC	EN 60947-5-2 EN 55011: class B
Mechanical data	
Housing materials	Noryl
Weight [kg]	0.146
Displays / operating elements	
Output status indication LED	yellow
Power LED	green
Unsafe zone LED	red
Excess gain LED	4 x green
Electrical connection	
Connection	PVC cable / 2 m; 4 x 0.34 mm ²

Wiring

Core colors

- BK black
- BN brown
- BU blue
- VT lilac



VT: function check

Remarks	<p>When through-beam fibre optics are connected light-on mode means the output function "NC" and when diffuse reflection fibre optics are connected the output function "NO". When through-beam fibre optics are connected dark-on mode means the output function "NO" and when diffuse reflection fibre optics are connected the output function "NC"</p>
Remarks	
Pack quantity [piece]	1