

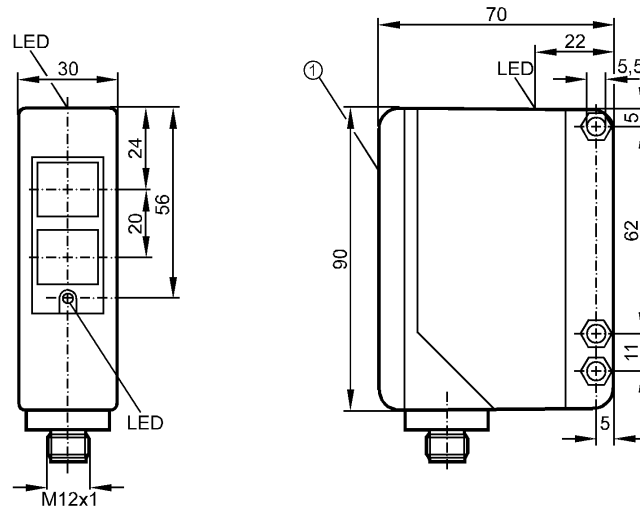
no longer available - archive entry

efector200

OA8503



Photoelectric sensors



1: selection switch, pot's (under cover)

Receiver in upper lens, transmitter in lower lens

Product characteristics

Retro-reflective sensor

Rectangular, plastics

Quick disconnect

Function check output

Sensing range 10m (Prismatic reflector Ø 80 (E20005))

adjustable

Electrical data

Electrical design

DC PNP

Operating voltage [V]

10...36 DC

Current consumption [mA]

< 50

Type of light

Infrared light 880 nm

Reverse polarity protection

yes

Outputs

Output function

light-on / dark-on programmable

Current rating

- Switching output [mA]

250

- Function check output [mA]

10

Short-circuit protection

yes (non-latching)

Overload protection

yes

Switching frequency [Hz]

300

Monitoring range

Sensing range [m]

10 (Prismatic reflector Ø 80 (E20005))

Range referred to prismatic reflector[m]

Ø 80 0.25...10

Ø 40 0.25...7

Ø 22 0.25...5

Environment

Ambient temperature [°C]

-25...60

Protection

IP 65

Tests / approvals

EMC

EN 60947-5-2

EN 55011:

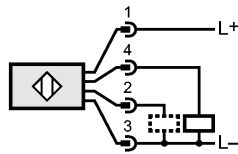
class B

Mechanical data

OA8503 - Retro-reflective sensor - eclass: 27270902 / 27-27-09-02

Housing materials		modified PPO
Lens material		PMMA
Displays / operating elements		
Output status indication	LED	yellow
Power	LED	green
Function display	LED	red
Electrical connection		
Connection		M12 connector

Wiring



2: function check

Accessories		
Accessories (included)		Angle bracket; screwdriver
Remarks		
Pack quantity	[piece]	1