

no longer available - archive entry Alternative article: O5H201 + E11861

When selecting an alternative article and accessories please note that technical data may differ!

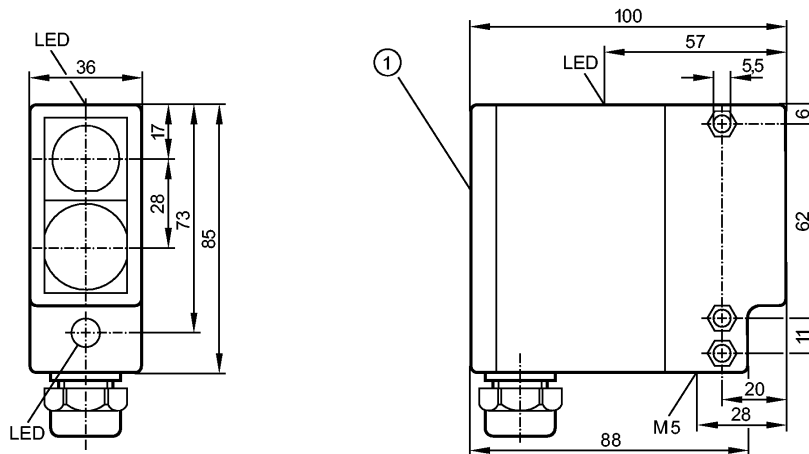
efector200

OA5202



OAH-CNKG/T

Photoelectric sensors



1: selection switch, pot's (under cover)

Receiver in lower lens, Transmitter in upper lens



Product characteristics

Diffuse reflection sensor

Rectangular, plastics

Terminals

Background suppression

Test input

On-delay or off-delay selectable via slide switch

Range 200...800mm (referred to white paper 200 x 200 mm)
adjustable

Electrical data

Electrical design

Operating voltage [V]

Current consumption [mA]

Type of light

Reverse polarity protection

Outputs

Output function

Voltage drop [V]

Current rating [mA]

Short-circuit protection

Overload protection

Switching frequency [Hz]

Timer [s]

Monitoring range

Range [mm]

Light spot diameter [mm]

Background suppression chart

DC NPN

10...30 DC

< 50

Infrared light 950 nm

yes

complementary

< 1.5

200

yes (non-latching)

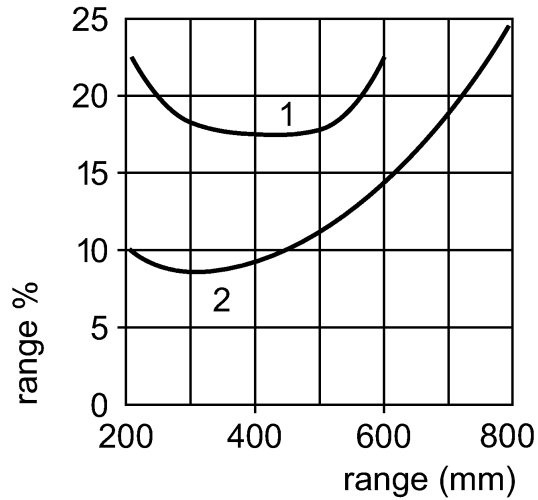
yes

250

0.015...0.3 / 0.5...12

200...800 (referred to white paper 200 x 200 mm)

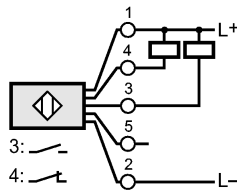
15 (at maximum range)



1 = object black 6 % remission, background white 90 % remission
 2 = object gray 18 % remission, background white 90 % remission
 3 = object white 90 % remission, background white 90 % remission
 Note: range % = setting in % of the range

Environment	
Ambient temperature [°C]	-25...55
Protection	IP 67
Tests / approvals	
EMC	EN 60947-5-2 EN 55011: class B
Mechanical data	
Housing materials	polycarbonate
Lens material	PMMA
Weight [kg]	0.448
Displays / operating elements	
Output status indication LED	red
Electrical connection	
Connection	terminals up to 1.5 mm ² ; cable gland M16 x 1.5

Wiring



5: Test

Accessories	
Accessories (included)	Angle bracket; E20560; screwdriver
Remarks	
Pack quantity [piece]	1

ifm efector, inc. • 1100 Atwater Drive • Malvern • PA 19355 — We reserve the right to make technical alterations without prior notice. — US — OA5202 — 06.03.2003
 no longer available - archive entry Alternative article: O5H201 + E11861

When selecting an alternative article and accessories please note that technical data may differ!