

no longer available - archive entry Alternative article: O4H500

When selecting an alternative article and accessories please note that technical data may differ!

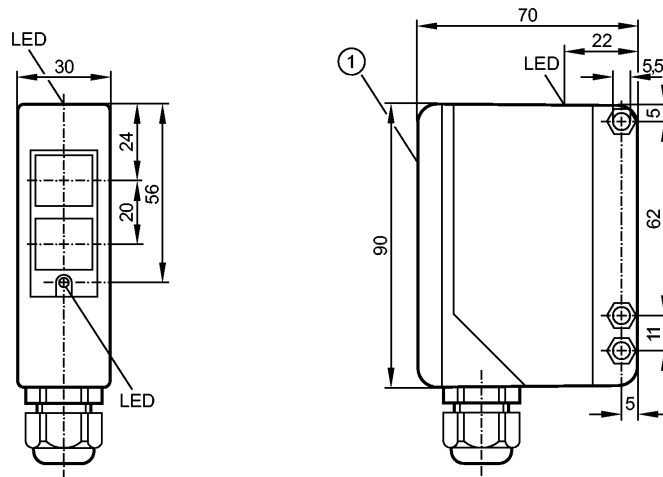
efector200

OA5109



OAT-FCKG/T

Photoelectric sensors



1: selection switch, pot's (under cover)

Receiver in upper lens, transmitter in lower lens



Product characteristics
Diffuse reflection sensor

Rectangular, plastics

Terminals

Function check output

On-delay or off-delay selectable via slide switch

Range 5...1500mm (referred to white paper 200 x 200 mm)

adjustable

Electrical data

Electrical design

DC PNP/NPN

Operating voltage [V]

10...36 DC

Current consumption [mA]

< 50

Type of light

Infrared light 880 nm

Protection class

II

Reverse polarity protection

yes

Outputs

Output function

light-on / dark-on programmable

Current rating

- Switching output [mA]

250

- dual output mode [mA]

100

- Function check output [mA]

10

Short-circuit protection

yes (non-latching)

Overload protection

yes

Switching frequency [Hz]

300

Timer [s]

0.5...10

Monitoring range

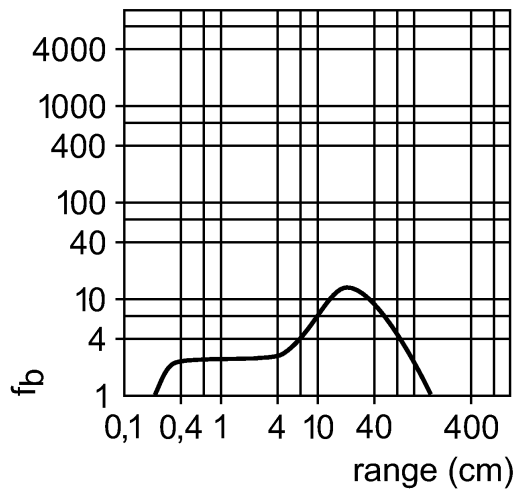
Range [mm]

5...1500 (referred to white paper 200 x 200 mm)

Light spot diameter [mm]

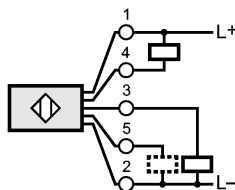
370 (at maximum range)

Excess gain graphs



Environment		
Ambient temperature	[°C]	-25...60
Protection		IP 65
Tests / approvals		
EMC		EN 60947-5-2 EN 55011: class B
MTTF	[Years]	357
Mechanical data		
Housing materials		modified PPO
Lens material		PMMA
Weight	[kg]	0.286
Displays / operating elements		
Output status indication	LED	yellow
Power	LED	green
Function display	LED	red
Electrical connection		
Connection		terminals up to 1.5 mm ² ; cable diameter 4.5...10 mm, cable gland M16 x 1.5

Wiring



5: function check

Accessories

Accessories (included)	Angle bracket; E20514; screwdriver
Remarks	
Pack quantity	[piece] 1