

no longer available - archive entry Alternative article: O4P500

When selecting an alternative article and accessories please note that technical data may differ!

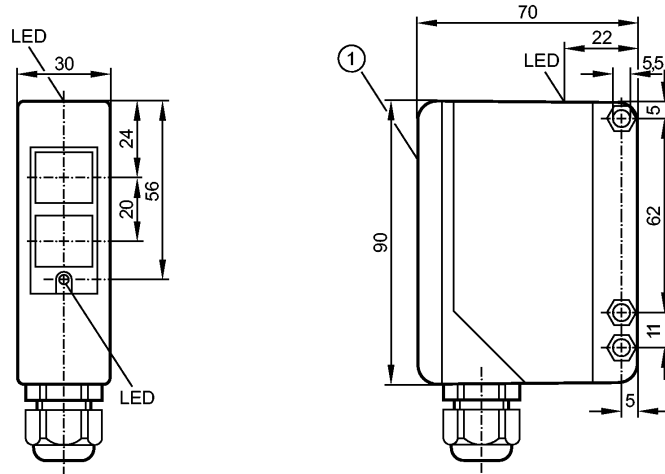
efector200

OA5107



OAP-FCKG/T

Photoelectric sensors



1: selection switch, pot's (under cover)

Receiver in upper lens, transmitter in lower lens



Product characteristics

Retro-reflective sensor

Rectangular, plastics

Terminals

Polarization filter

Function check output

On-delay or off-delay selectable via slide switch

Sensing range 0.2...8m (Prismatic reflector Ø 80 (E20005))

adjustable

Electrical data

Electrical design

DC PNP/NPN

Operating voltage [V]

10...36 DC

Current consumption [mA]

< 50

Type of light

red light 660 nm

Protection class

II

Reverse polarity protection

yes

Outputs

Output function

light-on / dark-on programmable

Current rating

- Switching output [mA]

250

- dual output mode [mA]

100

- Function check output [mA]

10

Short-circuit protection

yes (non-latching)

Overload protection

yes

Timer [s]

0.5...10

Monitoring range

Sensing range [m]

0.2...8 (Prismatic reflector Ø 80 (E20005))

Range referred to prismatic reflector [m]

Ø 80 0.2...8

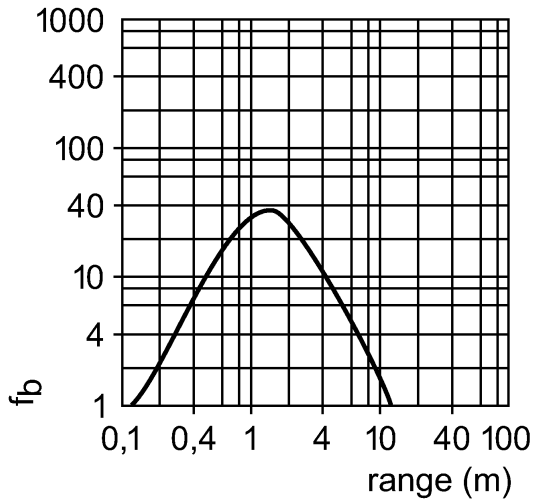
Ø 40 0.2...5

Ø 22 0.35...2.5

Light spot diameter [mm]

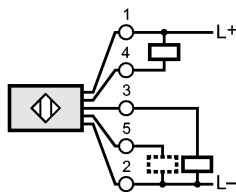
420 (at maximum range)

Excess gain graphs



Environment		
Ambient temperature	[°C]	-25...60
Protection		IP 65
Tests / approvals		
EMC		EN 60947-5-2
MTTF	[Years]	357
Mechanical data		
Housing materials		modified PPO
Lens material		PMMA
Weight	[kg]	0.291
Displays / operating elements		
Output status indication	LED	yellow
Power	LED	green
Function display	LED	red
Electrical connection		
Connection		terminals up to 1.5 mm ² ; cable diameter 4.5...10 mm, cable gland M16 x 1.5

Wiring



5: function check

Accessories

Accessories (included)	Angle bracket; E20514; screwdriver
Remarks	
Pack quantity	[piece] 1