

no longer available - archive entry Alternative article: O4E500

When selecting an alternative article and accessories please note that technical data may differ!

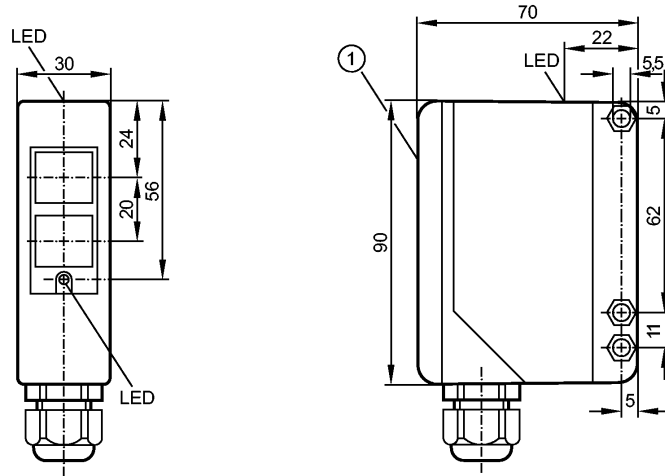
efector200

OA5103



OAE-FCKG/T

Photoelectric sensors



1: selection switch, pot's (under cover)

Receiver in upper lens



Product characteristics

Through-beam sensor

Rectangular, plastics

Terminals

Function check output

On-delay or off-delay selectable via slide switch

Receiver

Sensing range 50m

adjustable

Electrical data

Electrical design

DC PNP/NPN

Operating voltage [V]

10...36 DC

Current consumption [mA]

< 50

Type of light

Infrared light 880 nm

Protection class

II

Reverse polarity protection

yes

Outputs

Output function

light-on / dark-on programmable

Current rating

- Switching output [mA]

250

- dual output mode [mA]

100

- Function check output [mA]

10

Short-circuit protection

yes (non-latching)

Overload protection

yes

Switching frequency [Hz]

300

Timer [s]

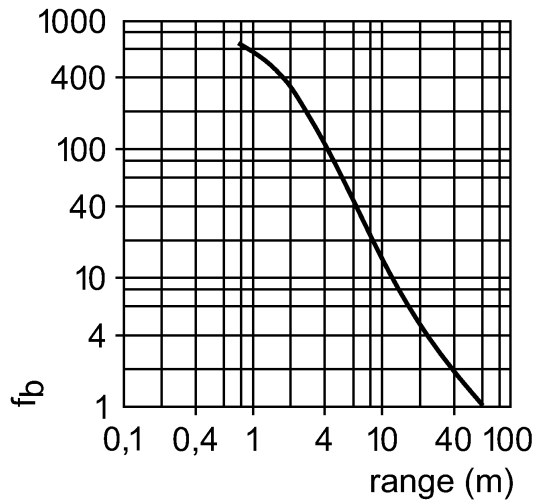
0.5...10

Monitoring range

Sensing range [m]

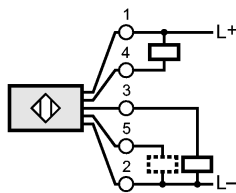
50

Excess gain graphs



Environment	
Ambient temperature [°C]	-25...60
Protection	IP 65
Tests / approvals	
EMC	EN 60947-5-2
MTTF [Years]	359
Mechanical data	
Housing materials	modified PPO
Lens material	PMMA
Weight [kg]	0.287
Displays / operating elements	
Output status indication LED	yellow
Power LED	green
Function display LED	red
Electrical connection	
Connection	terminals up to 1.5 mm ² ; cable diameter 4.5...10 mm, cable gland M16 x 1.5

Wiring



5: function check

Accessories

Accessories (included)	Angle bracket; E20514; screwdriver
------------------------	------------------------------------

Remarks

Pack quantity [piece]	1
-----------------------	---