

no longer available - archive entry

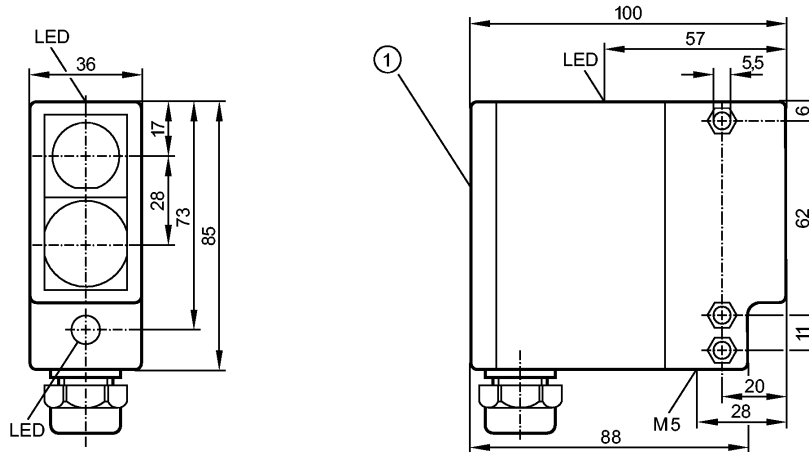
efector200

OA0201



OAH-FKOA/T

Photoelectric sensors



1: selection switch, pot's (under cover)

Receiver in lower lens, Transmitter in upper lens



Product characteristics

Diffuse reflection sensor

Rectangular, plastics

Terminals

Background suppression

Time function

Range 200...800mm (referred to white paper 200 x 200 mm)

adjustable

Electrical data

Electrical design

Operating voltage [V]

Power consumption [VA]

Type of light

Reverse polarity protection

Outputs

Output function

Current rating

- Current rating (continuous) [mA]

- Current rating (peak) [mA]

Short-circuit proof

Overload protection

Switching frequency [Hz]

Timer [s]

Monitoring range

Range [mm]

Light spot diameter [mm]

Background suppression chart

AC/DC relay

20...250 AC/DC (47...63 Hz AC)

< 2

Infrared light 950 nm

no

light-on / dark-on programmable

2500; max. 150 VA

2500 / max. 150 VA

no

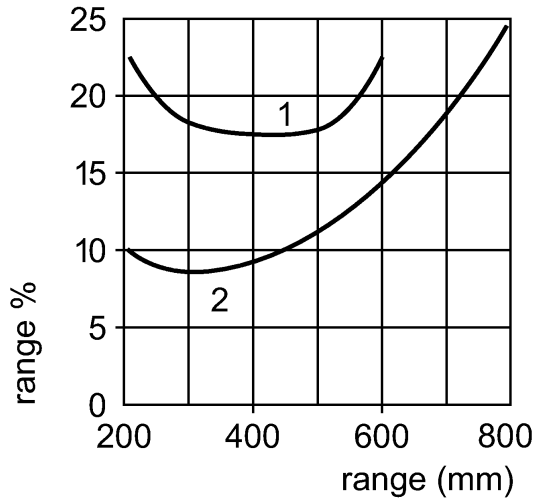
no

10

0.5...12

200...800 (referred to white paper 200 x 200 mm)

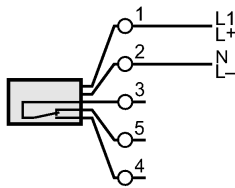
15 (at maximum range)



1 = object black 6 % remission, background white 90 % remission
 2 = object gray 18 % remission, background white 90 % remission
 3 = object white 90 % remission, background white 90 % remission
 Note: range % = setting in % of the range

Environment	
Ambient temperature [°C]	-25...55
Protection	IP 67
Tests / approvals	
EMC	EN 60947-5-2 EN 55011: class B
Mechanical data	
Housing materials	modified PPO
Lens material	PMMA
Weight [kg]	0.463
Displays / operating elements	
Output status indication LED	red
Electrical connection	
Connection	terminals up to 1.5 mm ² ; cable gland M16 x 1.5

Wiring



Accessories	
Accessories (included)	Angle bracket; E20560; screwdriver
Remarks	
Remarks	Recommendation: check the unit for reliable function after a short circuit.
Pack quantity [piece]	1