

no longer available - archive entry

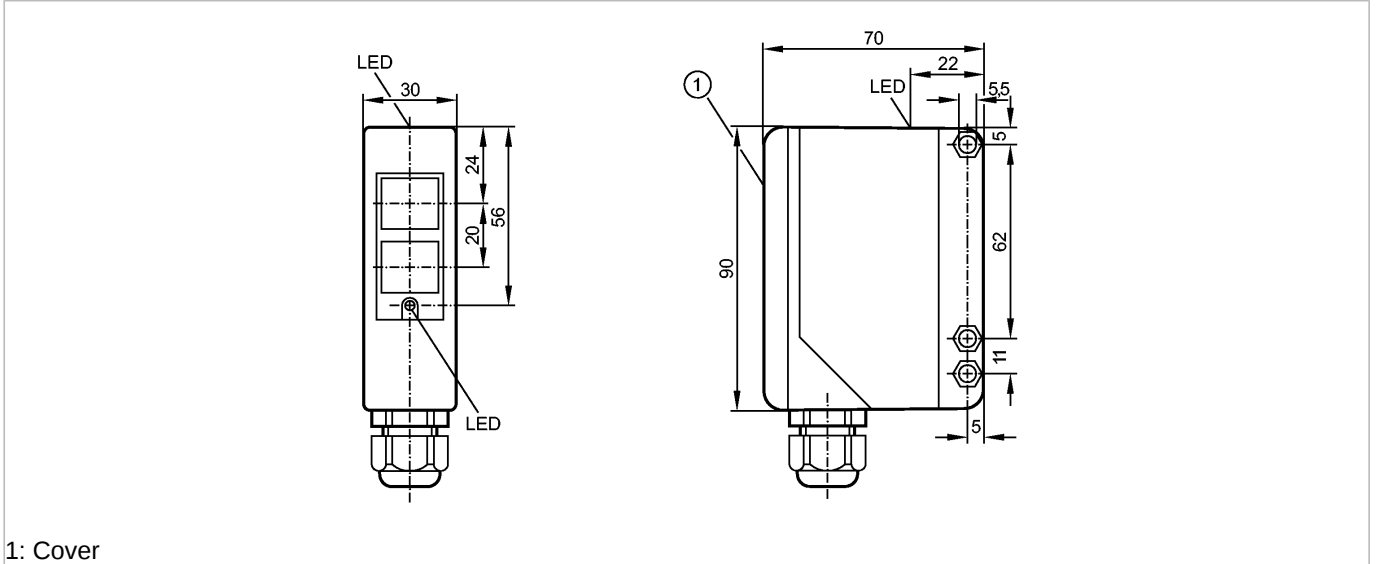
efector200

OA0126



OAS-000A

Photoelectric sensors



1: Cover



Product characteristics

Through-beam sensor

Rectangular, plastics

Terminals

Transmitter

Sensing range 25m

Electrical data

Electrical design

Operating voltage [V]

Power consumption [VA]

Type of light

Protection class

Reverse polarity protection

Outputs

Short-circuit protection

Overload protection

Monitoring range

Sensing range [m]

Environment

Ambient temperature [°C]

Protection

Tests / approvals

EMC

MTTF [Years]

Mechanical data

Housing materials

Lens material

Weight [kg]

Displays / operating elements

Power

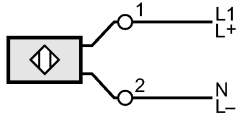
Electrical connection

Connection

Wiring

	AC/DC
Operating voltage [V]	20...250 AC/DC (47...63 Hz AC)
Power consumption [VA]	< 3.5
Type of light	Infrared light 880 nm
Protection class	II
Reverse polarity protection	no
Outputs	
Short-circuit protection	no
Overload protection	no
Monitoring range	
Sensing range [m]	25
Environment	
Ambient temperature [°C]	-25...60
Protection	IP 65
Tests / approvals	
EMC	EN 60947-5-2
MTTF [Years]	393
Mechanical data	
Housing materials	modified PPO
Lens material	PMMA
Weight [kg]	0.294
Displays / operating elements	
Power	green
Electrical connection	
Connection	terminals up to 1.5 mm ² ; cable diameter 4.5...10 mm, cable gland M16 x 1.5

OA0126 - Through-beam sensor - eclass: 27270901 / 27-27-09-01



Accessories

Accessories (included)

Angle bracket; screwdriver

Remarks

Pack quantity

[piece]

1

ifm efector, inc. • 1100 Atwater Drive • Malvern • PA 19355 — We reserve the right to make technical alterations without prior notice. — US — OA0126 — 06.03.2003
no longer available - archive entry