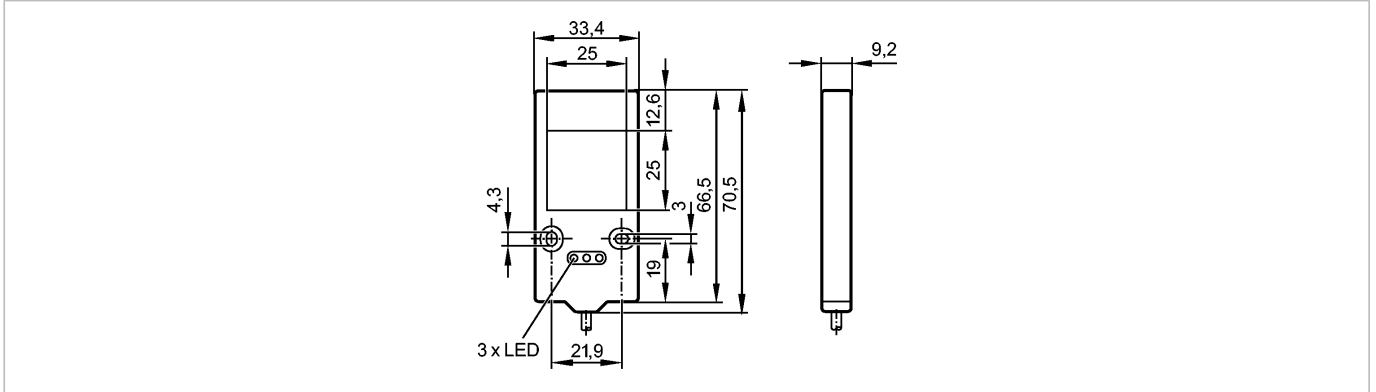




BACKLIGHT 25X25 INFRARED

Object recognition



Product characteristics

Illumination unit

Illuminated area:

25 x 25 mm

transmitter infrared 880 nm

Externally programmable

Electrical data

Operating voltage [V]	24 DC \pm 10 %
Current consumption [mA]	50* / 25**)
Type of light	Infrared light 880 nm
Protection class	III
Reverse polarity protection	yes
Type of operation	- high light intensity (max. pulse length: 50 ms; max. mark-to-space ratio: 1/10) - normal light intensity (permanent operation possible)

Inputs

Trigger	External; 24 V PNP to IEC61131-1
---------	----------------------------------

Outputs

Overload protection	yes
---------------------	-----

Environment

Ambient temperature [°C]	0...50
Protection	IP 65
Temperature protection	yes

Tests / approvals

MTTF [Years]	501
--------------	-----

Mechanical data

Housing materials	aluminum
Lens material	PMMA
Weight [kg]	0.094

Displays / operating elements

Display	Illumination status 1 x LED yellow Power 1 x LED green Excess temperature / overload 1 x LED red
---------	--

Electrical connection

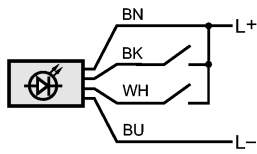
Connection	PUR cable / 2 m; 4 x 0.14 mm ²
------------	---

Wiring

O2D901 - Illumination unit - eclass: 27310204 / 27-31-02-04

Core colors

BK black
BN brown
BU blue
WH white



BK: Trigger

WH: Operating mode "high light intensity"

Remarks

Remarks

*) Operating mode "permanent operation"

***) Operating Mode "High Light Intensity"

Pack quantity

[piece]

1