

Please note the wiring of the sensor and the sockets (see data sheet) as for 8-pole sockets the core colours are not standardised.

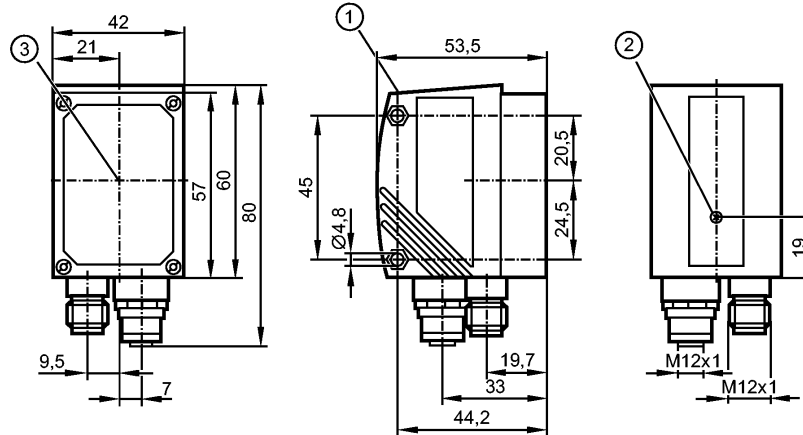
**efector250**

O2D222



O2DIRPKG/K

Object recognition



- 1: display
- 2: Focus adjustment screw
- 3: Centre of the lens axes



Product characteristics

Object recognition sensor

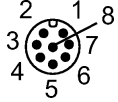
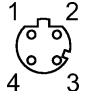
Max. field of view size: 1320 x 945 mm

Infrared lighting 850 nm

Electrical data

Operating voltage [V]	24 DC $\pm$ 10 %						
Current consumption [mA]	300						
Type of light	Infrared light 850 nm						
Protection class	III						
Reverse polarity protection	ja *)						
Connection external illumination [V]	24 V DC						
Type of sensor	CMOS image sensor B/W, VGA resolution 640 x 480						
Inputs	max. 2 (configurable) / 24 V PNP to IEC 61131-2 type 1						
Circuit	external; 24 V PNP to IEC 61131-2 type 1						
Trigger	internal						
Outputs	max. 5 (configurable) / 24 V PNP						
Output	max. 5 (configurable) / 24 V PNP						
Max. current load per output [mA]	100						
Voltage drop [V]	< 2						
Short-circuit protection	yes						
Overload protection	yes						
Monitoring range							
Operating distance [mm]	50	75	100	200	400	1000	2000
Field of view size [mm]	33 x 24	50 x 36	66 x 47	132 x 94	264 x 189	660 x 472	1320 x 945
Smallest detectable object [mm]	0.3	0.4	0.5	0.9	1.7	4.0	8.0
Resolution [mm]	0.075	0.1	0.125	0.225	0.425	1.0	2.0
Detection rate [Hz]	$\leq$ 20						
Motion speed [m/s]	typ. 1						
Software / programming							
Parameter setting options	via 2 pushbuttons and 10-segment display or via PC / notebook with operating software						
Interfaces							

**O2D222 - Object recognition sensor - eclass: 27280103 / 27-28-01-03**

parameter setting interface	Ethernet TCP/IP; 10Base-T / 100Base-TX
Process interface	Ethernet TCP/IP (Port: 50010), EtherNet/IP
IP address	192 .168 .0 .49
subnet mask	255.255.255.0 (Class C)
gateway IP address	192 .168 .000 .201
MAC address	see type label
Environment	
Ambient temperature [°C]	-10...60
Storage temperature [°C]	-40...85
Protection	IP 67
Tests / approvals	
EMC	radiation of interference to EN 61326 noise immunity to EN 61326
MTTF [Years]	90
Shock resistance	IEC 60028-2-27
Vibration resistance	IEC 60028-2-6
Mechanical data	
Housing materials	housing: diecast zinc powder-coated; window: glass; LED window: polycarbonate
Weight [kg]	0.401
Displays / operating elements	
Display	Function display 3 x LED green 4 x LED yellow Display unit / status 4-digit 10-segment display
Electrical connection	
Connection	M12 plug, 8 poles M12 socket, 4 poles
<b>Wiring</b>   	<p>M12: Process connection</p> <p>1: U+ 2: trigger input 3: 0 V 4: Switching output 5 / trigger output 5: Switching output 3 / Ready 6: Switching output 4 / OUT 7: Switching output 1 / Input 1 8: Switching output 2 / Input 2</p> <p>Ethernet TCP/IP: parameter setting/process connection</p> <p>1: TD+ 2: RD+ 3: TD- 4: RD-</p>
Accessories	
Accessories (optional)	Operating software; Mounting accessories
Remarks	
Remarks	cULus - Class 2 source required *) The voltage on pins 2, 4, 5, 6, 7 and 8 must not exceed the supply voltage on pin 1 (U+) (see operating instructions).
Pack quantity [piece]	1