

no longer available - archive entryAlternative article: O2D220

When selecting an alternative article and accessories please note that technical data may differ!

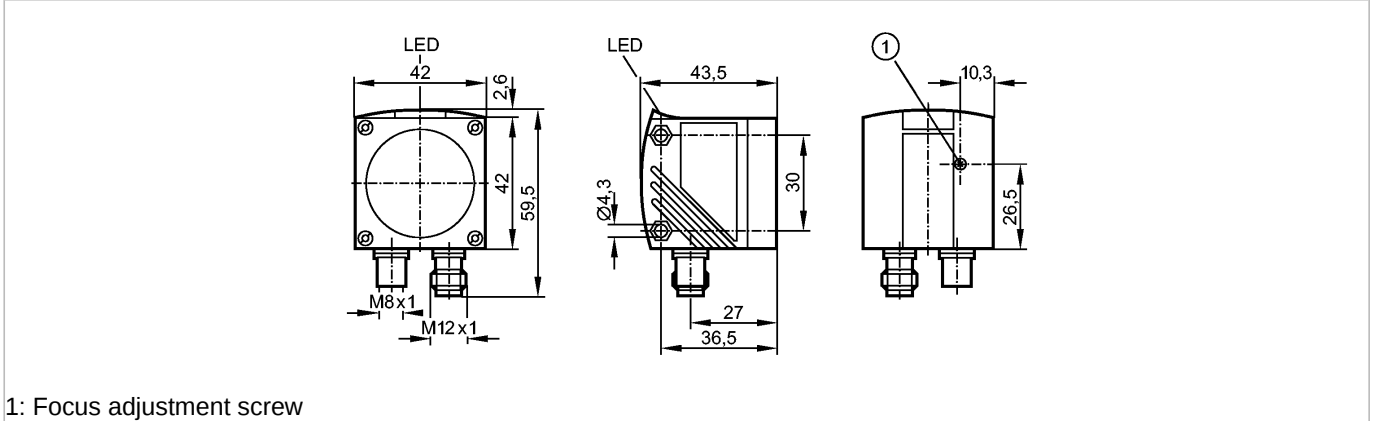
efector250

O2D212



O2DIRPKG/K

Object recognition



1: Focus adjustment screw



Product characteristics

Datasheet in PDF format: [O2D212.pdf](#)

Contour Sensor

With position correction

Max. field of view size: 123 x 163 mm

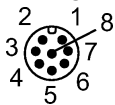
Lighting: infrared (880 nm)

Mechanical data

Weight [kg] 0.255

Electrical connection

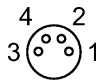
Wiring



1: U+ 5: Ready
2: ① 6: Out
3: 0V 7: In 0
4: ② 8: In 1



1: RTS
2: RxD/TxD-P
3: GND
4: RxD/TxD-N



1 = trigger input
2 = trigger output for external lighting

Remarks

Pack quantity [piece] 1

ifm efector, inc. • 1100 Atwater Drive • Malvern • PA 19355 — We reserve the right to make technical alterations without prior notice. — US — O2D212 — 23.01.2007

no longer available - archive entryAlternative article: O2D220

When selecting an alternative article and accessories please note that technical data may differ!