

no longer available - archive entryAlternative article: O2D224

When selecting an alternative article and accessories please note that technical data may differ!

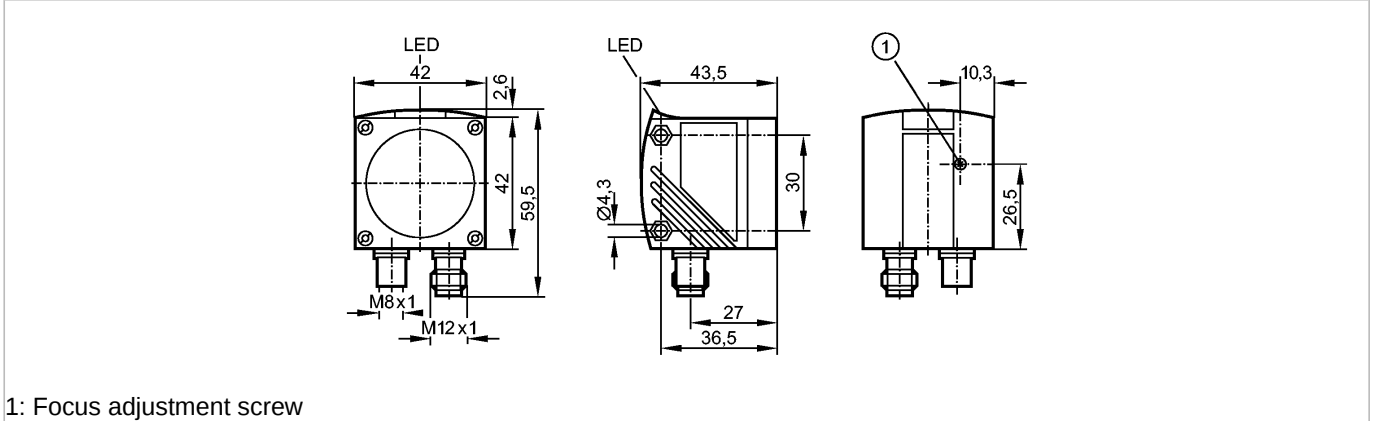
**efector250**

O2D210



O2DIRPKG/K

Object recognition



1: Focus adjustment screw



Product characteristics

Datasheet in PDF format: [O2D210.pdf](#)

Contour Sensor

With position correction

Max. field of view size: 80 x 104 mm

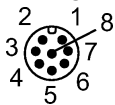
Lighting: infrared (880 nm)

Mechanical data

Weight [kg] 0.255

Electrical connection

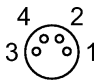
**Wiring**



1: U+ 5: Ready  
2: ① 6: Out  
3: 0V 7: In 0  
4: ② 8: In 1



1: RTS  
2: RxD/TxD-P  
3: GND  
4: RxD/TxD-N



1 = trigger input  
2 = trigger output for external lighting

Remarks

Pack quantity [piece] 1

ifm efector, inc. • 1100 Atwater Drive • Malvern • PA 19355 — We reserve the right to make technical alterations without prior notice. — US — O2D210 — 23.01.2007

no longer available - archive entryAlternative article: O2D224

When selecting an alternative article and accessories please note that technical data may differ!