

no longer available - archive entry replaced by: O2D213

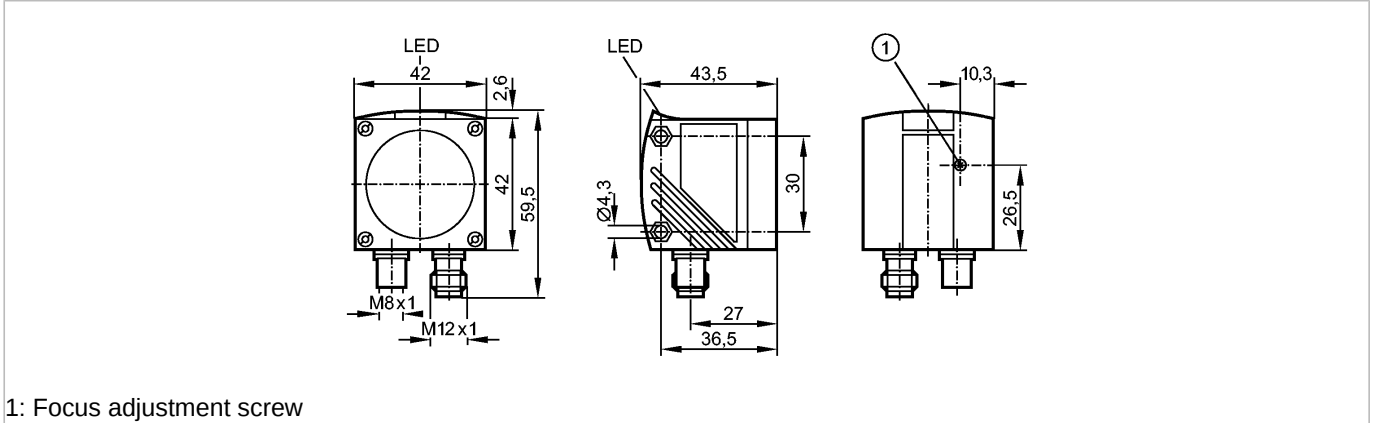
efector 250

O2D203



O2DRRPKG/K

Object recognition



1: Focus adjustment screw



Product characteristics

Datasheet in PDF format: O2D203.pdf

Contour Sensor

Without position correction

Max. field of view size: 116 x 150 mm

Lighting: red light (660 nm)

Electrical data

Operating voltage [V] 24 DC $\pm 10\%$

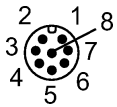
Current consumption [mA] < 200

Mechanical data

Weight [kg] 0.252

Electrical connection

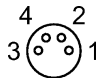
Wiring



1: U+ 5: Ready
2: ① 6: Out
3: 0V 7: In 0
4: ② 8: In 1



1: RTS
2: RxD/TxD-P
3: GND
4: RxD/TxD-N



1 = trigger input
2 = trigger output for external lighting

Remarks

Pack quantity [piece] 1

ifm efector, inc. • 1100 Atwater Drive • Malvern • PA 19355 — We reserve the right to make technical alterations without prior notice. — US — O2D203 — 29.11.2005
no longer available - archive entry replaced by: O2D213