

no longer available - archive entryreplaced by: O2I102

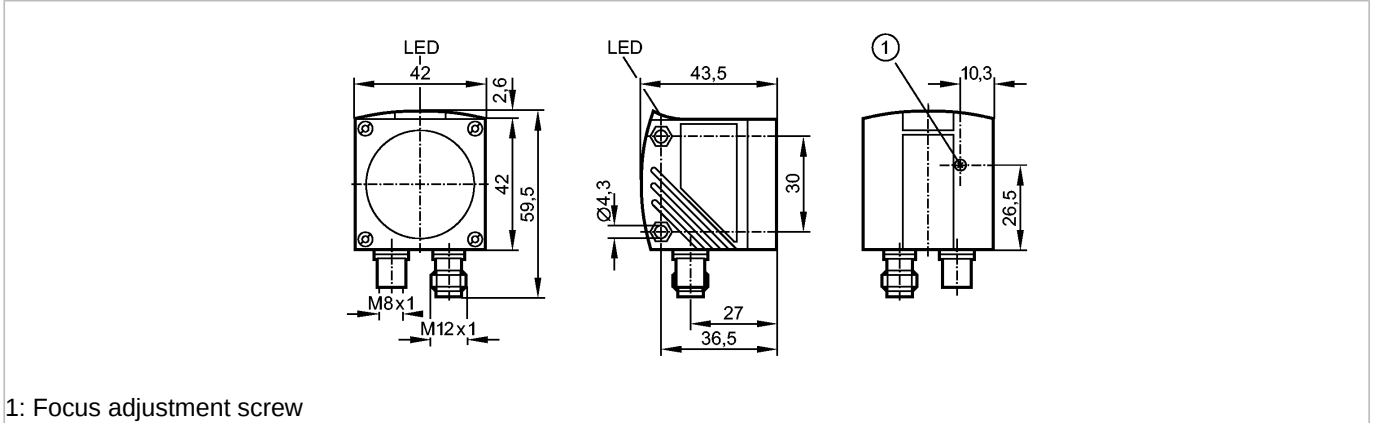
efector190

O2D104



O2DROS-G/D/RS232

Identification systems



1: Focus adjustment screw



Product characteristics

Datasheet in PDF format: O2D104.pdf

Data matrix code reader

Max. field of view size: 58 x 75 mm

Process interface: RS-232

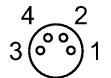
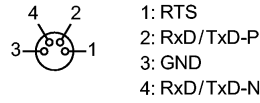
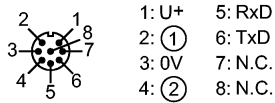
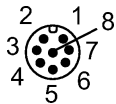
Integrated lighting: red light (660 nm)

Mechanical data

Weight [kg] 0.247

Electrical connection

Wiring



1 = trigger input
2 = trigger output for external lighting

Remarks

Pack quantity [piece] 1

ifm efector, inc. • 1100 Atwater Drive • Malvern • PA 19355 — We reserve the right to make technical alterations without prior notice. — US — O2D104 — 06.03.2003
no longer available - archive entryreplaced by: O2I102