

no longer available - archive entryreplaced by: O2I100

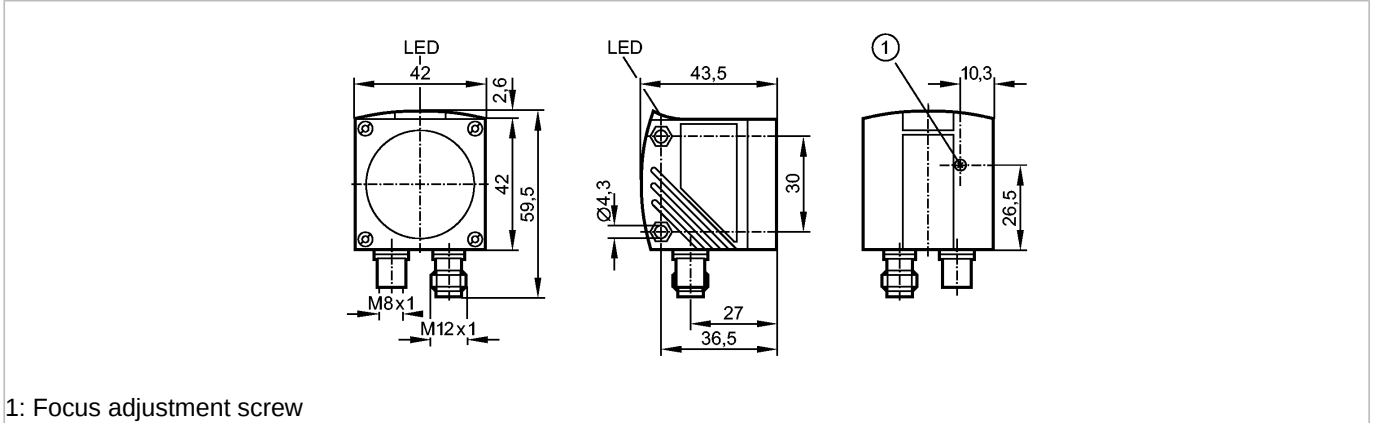
**efector190**

O2D103



O2DIOS-G/D/RS485

Identification systems



Product characteristics

Datasheet in PDF format: O2D103.pdf

Data matrix code reader

Max. field of view size: 40 x 52 mm

Process interface: RS-422 / RS-485

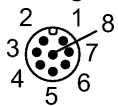
Integrated lighting: infrared (880 nm)

Mechanical data

Weight [kg] 0.247

Electrical connection

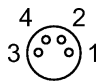
**Wiring**



- 1: U+
- 2: ①
- 3: 0V
- 4: ②
- 5: RxD-P
- 6: RxD-N
- 7: TxD-P
- 8: TxD-N



- 1: RTS
- 2: RxD/TxD-P
- 3: GND
- 4: RxD/TxD-N



- 1 = trigger input
- 2 = trigger output for external lighting

Remarks

Pack quantity [piece] 1

ifm efector, inc. • 1100 Atwater Drive • Malvern • PA 19355 — We reserve the right to make technical alterations without prior notice. — US — O2D103 — 06.03.2003  
no longer available - archive entryreplaced by: O2I100