

no longer available - archive entryreplaced by: O2I100

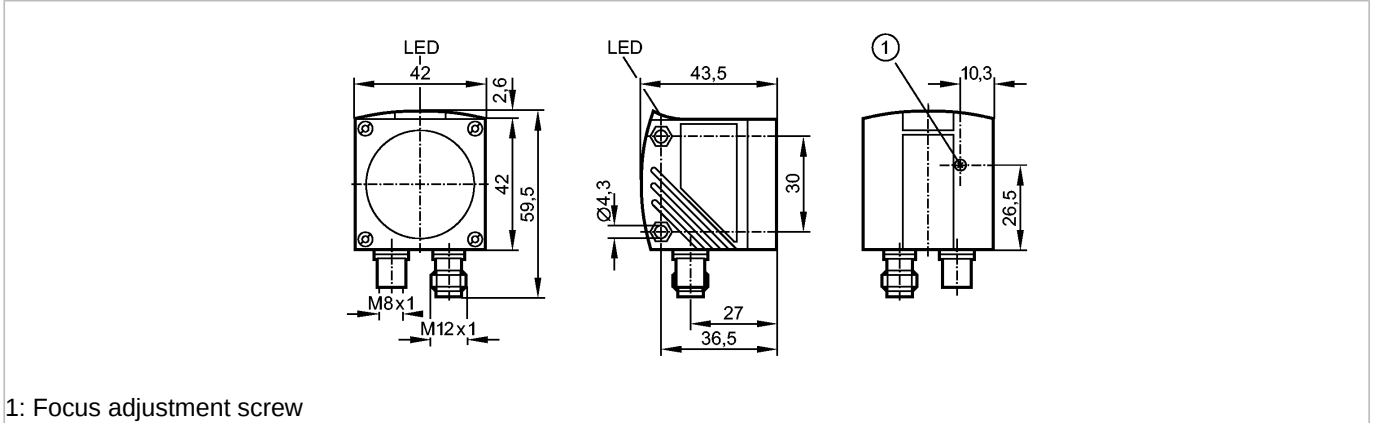
efector190

O2D102



O2DROS-G/D/RS485

Identification systems



1: Focus adjustment screw



Product characteristics

Datasheet in PDF format: O2D102.pdf

Data matrix code reader

Max. field of view size: 40 x 52 mm

Process interface: RS-422 / RS-485

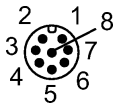
Integrated lighting: red light (660 nm)

Mechanical data

Weight [kg] 0.246

Electrical connection

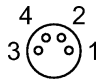
Wiring



1: U+ 5: RxD-P
2: ① 6: RxD-N
3: 0V 7: TxD-P
4: ② 8: TxD-N



1: RTS
2: RxD/TxD-P
3: GND
4: RxD/TxD-N



1 = trigger input
2 = trigger output for external lighting

Remarks

Pack quantity [piece] 1

ifm efector, inc. • 1100 Atwater Drive • Malvern • PA 19355 — We reserve the right to make technical alterations without prior notice. — US — O2D102 — 06.03.2003
no longer available - archive entryreplaced by: O2I100