

no longer available - archive entryreplaced by: O2I100

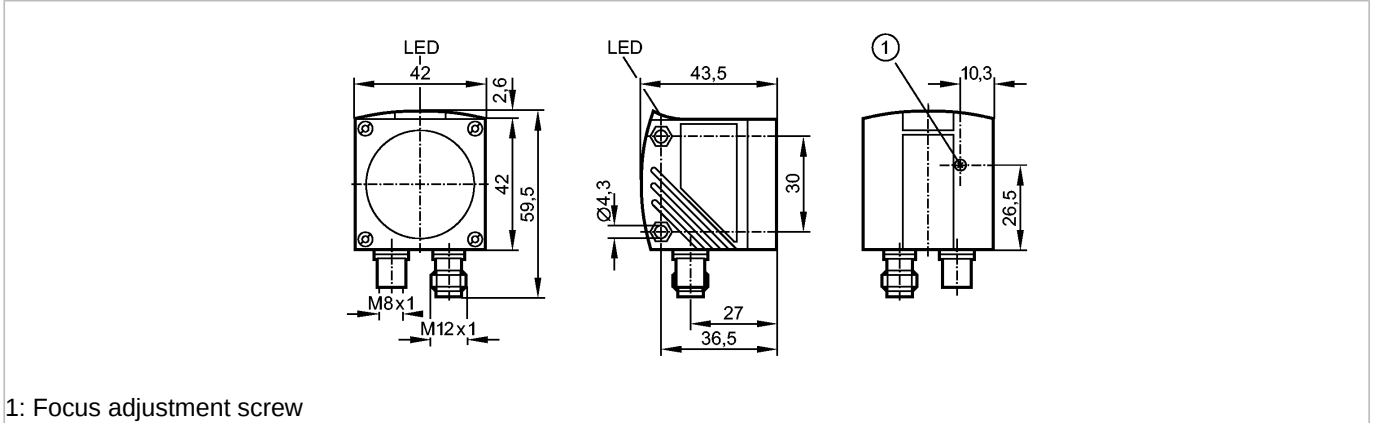
**efector190**

O2D100



O2DROS-G/D/RS232

Identification systems



1: Focus adjustment screw



Product characteristics

Datasheet in PDF format: O2D100.pdf

Data matrix code reader

Max. field of view size: 40 x 52 mm

Process interface: RS-232

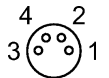
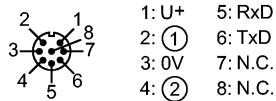
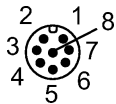
Integrated lighting: red light (660 nm)

Mechanical data

Weight [kg] 0.248

Electrical connection

**Wiring**



1 = trigger input  
2 = trigger output for external lighting

Remarks

Pack quantity [piece] 1

ifm efector, inc. • 1100 Atwater Drive • Malvern • PA 19355 — We reserve the right to make technical alterations without prior notice. — US — O2D100 — 06.03.2003  
no longer available - archive entryreplaced by: O2I100