



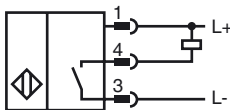
Model Number

NJ50-FP-E-P4-V1

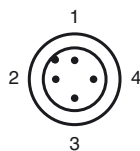
Features

- 3-wire DC
- Surface mount
- Sensing range 50 mm

Connection



Pinout



Wire colors in accordance with EN 60947-5-2

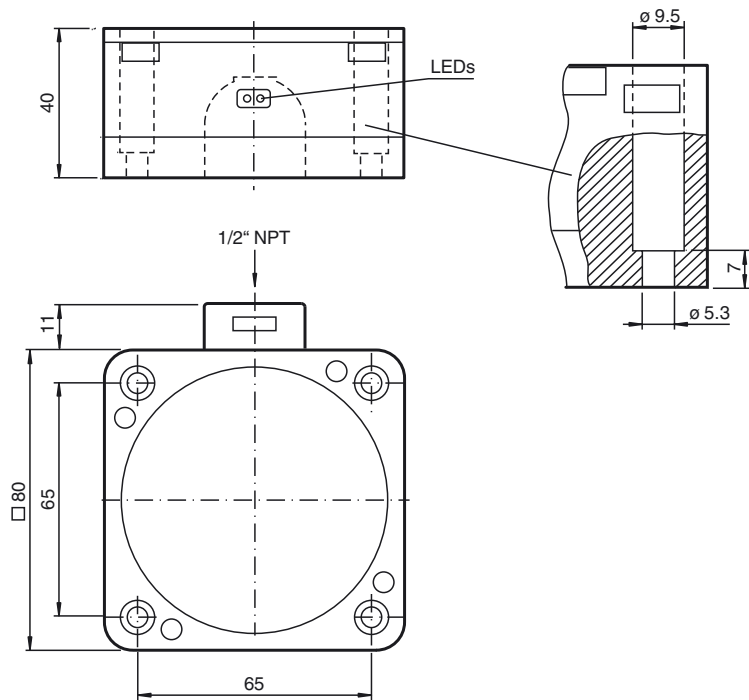
1	BN	(brown)
2	WH	(white)
3	BU	(blue)
4	BK	(black)

Accessories

V1-G-2M-PVC
Female cordset, M12, 4-pin, PVC cable

V1-W-2M-PUR
Female cordset, M12, 4-pin, PUR cable

Dimensions



Technical Data

General specifications			
Switching element function		NPN	NO
Rated operating distance	s_n	50 mm	
Installation		non-flush	
Output polarity		DC	
Assured operating distance	s_a	0 ... 40.5 mm	
Reduction factor r_{Al}		0.4	
Reduction factor r_{Cu}		0.3	
Reduction factor r_{304}		0.85	
Nominal ratings			
Operating voltage	U_B	10 ... 30 V	
Switching frequency	f	0 ... 100 Hz	
Hysteresis	H	typ. 3 %	
Reverse polarity protection		reverse polarity protected	
Short-circuit protection		pulsing	
Voltage drop	U_d	≤ 3 V	
Operating current	I_L	0 ... 200 mA	
Off-state current	I_r	0 ... 0.5 mA typ. 0.1 μ A at 25 °C	
No-load supply current	I_0	≤ 20 mA	
Time delay before availability	t_v	≤ 30 ms	
Operating voltage display		LED, green	
Switching state indication		LED, yellow	
Standard conformity			
Standards		EN 60947-5-2:2007 IEC 60947-5-2:2007	
Ambient conditions			
Ambient temperature		-25 ... 70 °C (-13 ... 158 °F)	
Mechanical specifications			
Connection type		V1 connector (M12 x 1), 4-pin	
Housing material		PBT/metal	
Sensing face		PBT	
Protection degree		IP67	
Approvals and certificates			
UL approval		cULus Listed, General Purpose	
CSA approval		cCSAus Listed, General Purpose	

Release date: 2013-04-17 16:16 Date of issue: 2013-04-17 092040_eng.xml