



Model Number

NJ40+U4+W

Features

- 40 mm non-flush
- 2-wire AC
- Limit switch style housing
- Metal base 1/2" NPT

Accessories

MHW 01

Modular mounting bracket

Technical Data

General specifications

Switching element function		AC	NO/NC
Rated operating distance	s_n	40 mm	
Installation		non-flush	
Output polarity		AC	
Assured operating distance	s_a	0 ... 32.4 mm	
Actual operating distance	s_r	36 ... 44 mm typ. 40 mm	
Reduction factor r_{AI}		0.5	
Reduction factor r_{Cu}		0.45	
Reduction factor r_{304}		0.8	

Nominal ratings

Operating voltage AC	U_B	20 ... 253 V ¹⁾	
Switching frequency	f	0 ... 20 Hz	
Hysteresis	H	1 ... 10 typ. 5 %	
Voltage drop	U_d	≤ 5 V	
Momentary current (20 ms, 0.1 Hz)		0 ... 3000 mA	
Operating current	I_L	8 ... 500 mA	
Off-state current	I_r	0.5 ... 1.95 mA typ. 1.2 mA	
Off-state current U_B 24 V, switching element off I_r		0.5 ... 1.7 mA typ. 1.2 μA	
Operating voltage indicator		LED, green	
Switching state indicator		LED, yellow	

Functional safety related parameters

MTTF _d	760 a
Mission Time (T _M)	20 a
Diagnostic Coverage (DC)	0 %

Ambient conditions

Ambient temperature	-25 ... 70 °C (-13 ... 158 °F)
Storage temperature	-25 ... 85 °C (-13 ... 185 °F)

Mechanical specifications

Connection type	screw terminals
Information for connection	A maximum of two conductors with the same core cross-section may be mounted on one terminal connection! tightening torque 1.2 Nm + 10 %
Core cross-section	up to 2.5 mm ²
Minimum core cross-section	without wire end ferrule 0.5 mm ² , with connector sleeves 0.34 mm ²
Maximum core cross-section	without wire end ferrule 2.5 mm ² , with connector sleeves 1.5 mm ²
Housing material	PBT/metal
Sensing face	PBT
Degree of protection	IP68
Note	¹⁾ In the temperature range below 0 °C, permissible operating voltage U_b 80...253 V Safety fuse ≤ 2 A (quick-blow) according to IEC 60127-2 Sheet 1 Recommendation: after a short circuit, check that the device is functioning correctly.

General information

Supplementary information	Connection selectable as normally open or normally closed operation. Only wire one output per device.
---------------------------	--

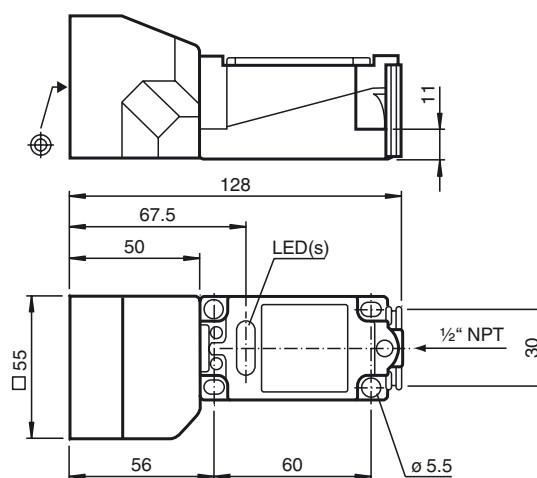
Compliance with standards and directives

Standard conformity	
Standards	EN 60947-5-2:2007 IEC 60947-5-2:2007

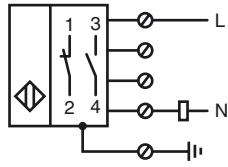
Approvals and certificates

UL approval	cULus Listed, General Purpose
CSA approval	cCSAus Listed, General Purpose
CCC approval	Certified by China Compulsory Certification (CCC)

Dimensions



Electrical Connection



Release date: 2016-09-29 11:41 Date of issue: 2016-10-10 08:59:29_eng.xml