



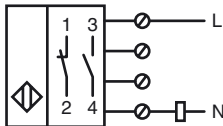
**Model Number**

NJ40+U2+W

**Features**

- Limit switch style housing
- 2-wire AC

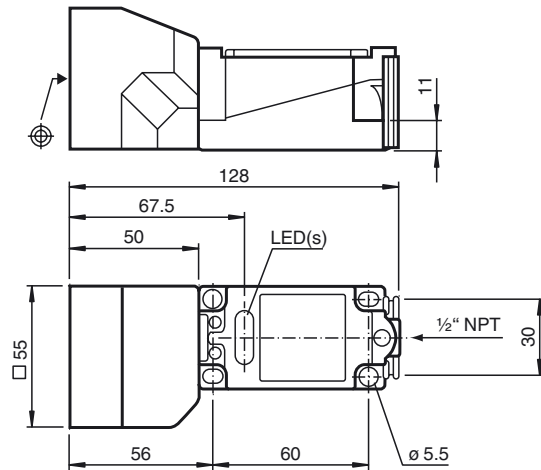
**Connection**



**Accessories**

MHW 01  
Modular mounting bracket

**Dimensions**



**Technical Data**

**General specifications**

Switching element function	AC	NO/NC
Rated operating distance	$s_n$	40 mm
Installation	not embeddable	
Output polarity	AC	
Assured operating distance	$s_a$	0 ... 32.4 mm
Reduction factor $r_{Al}$	0.5	
Reduction factor $r_{Cu}$	0.45	
Reduction factor $r_{303}$	0.8	

**Nominal ratings**

Operating voltage	$U_B$	20 ... 253 V <sup>1)</sup>
Switching frequency	$f$	0 ... 20 Hz
Hysteresis	$H$	1 ... 10 typ. 5 %
Voltage drop	$U_d$	≤ 5 V
Momentary current (20 ms, 0.1 Hz)	0 ... 3000 mA	
Operating current	$I_L$	8 ... 500 mA
Off-state current	$I_r$	0.5 ... 1.95 mA typ. 1.2 mA
Operating voltage display	LED, green	
Indication of the switching state	LED, yellow	

**Ambient conditions**

Ambient temperature	-25 ... 70 °C (-13 ... 158 °F)
Storage temperature	-25 ... 85 °C (-13 ... 185 °F)

**Mechanical specifications**

Connection type	screw terminals
Core cross-section	≤ 2.5 mm <sup>2</sup>
Housing material	PBT
Sensing face	PBT
Housing base	PBT
Protection degree	IP68
Note	<sup>1)</sup> In the temperature range below 0 °C, permissible operating voltage $U_B$ 80...253 V

Safety fuse ≤ 2 A (quick-blow) according to IEC 60127-2 Sheet 1  
Recommendation: after a short circuit, check that the device is functioning correctly.

**Compliance with standards and directives**

Standard conformity	
Standards	EN 60947-5-2:2007 IEC 60947-5-2:2007

**Approvals and certificates**

UL approval	cULus Listed, General Purpose
CSA approval	cCSAus Listed, General Purpose
CCC approval	Certified by China Compulsory Certification (CCC)

Release date: 2011-09-01 09:25 Date of issue: 2011-09-01 017830\_eng.xml