



Model Number

NJ2-D-US-2.062-V12

Cylinder Position Switch

Features

- 2-wire AC/DC
- Weld Immune
- Sensing range 2 mm
- 3000 psi rating

Accessories

V12-G-YE2M-PVC

Connecting cable, 1/2" - 20 UNF, 3-pin, PVC cable

V12-W-YE2M-PVC

Connecting cable, 1/2" - 20 UNF, 3-pin, PVC cable

SPACER 0.160 TO 0.375 : X.XXX"

Spacer for cylinder switches

SPACER 0.380 TO 0.875 : X.XXX"

Spacer for cylinder switches

Technical Data

General specifications

| | | | |
|----------------------------|-------|---------------|----|
| Switching element function | | AC/DC | NO |
| Rated operating distance | s_n | 2 mm | |
| Installation | | flush | |
| Output polarity | | AC/DC | NO |
| Assured operating distance | s_a | 0 ... 1.62 mm | |
| Reduction factor r_{AI} | | 0.4 | |
| Reduction factor r_{304} | | 0.85 | |

Nominal ratings

| | | |
|--------------------------------------|-------|---------------------------------|
| Operating voltage | U_B | 20 ... 250 V AC/20 ... 300 V DC |
| Switching frequency | f | 0 ... 20 Hz |
| Hysteresis | H | 10 ... 20 % 15 typ. |
| Reverse polarity protection | | yes |
| Short-circuit protection | | yes |
| Voltage drop | U_d | ≤ 7 V |
| Momentary current (20 ms, 0.1 Hz) | | ≤ 3 A |
| Operating current | I_L | 8 ... 300 mA |
| Off-state current | I_r | < 1.7 mA |
| Mag. Field strength, AC fields | | 250 mT |
| Mag. Field strength, DC fields | | 100 mT |

Limit data

| | |
|--------------------------------|----------|
| Operating pressure dynamically | 3000 psi |
|--------------------------------|----------|

Indicators/operating means

| | |
|---------------|-----------------------------------|
| LED green | Power on |
| LED red | Output status |
| LED red/green | Short circuit/overload indication |

Standard conformity

| | |
|-----------|--------------|
| Standards | EN 60947-5-2 |
|-----------|--------------|

Ambient conditions

| | |
|---------------------|--------------------------------|
| Ambient temperature | -25 ... 70 °C (-13 ... 158 °F) |
|---------------------|--------------------------------|

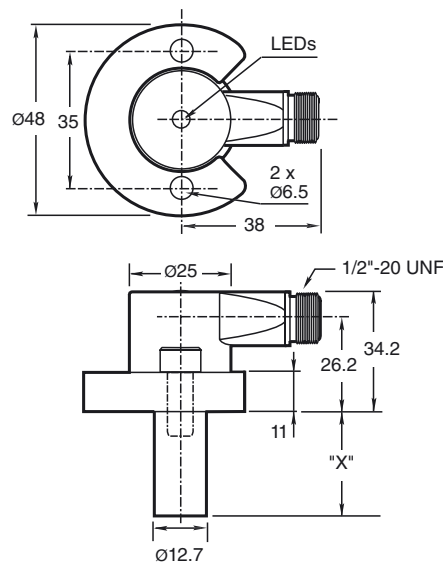
Mechanical specifications

| | |
|----------------------|----------------------------------|
| Connection type | Connector 1/2"-20 UNF, 3-pin |
| Degree of protection | IP67 |
| Material | Housing: zinc Probe: aluminum |
| Note | X = 2.062 in (52.4 mm) |

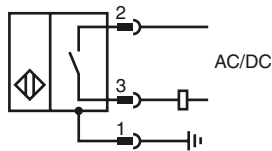
Approvals and certificates

| | |
|--------------|--------------------------------|
| UL approval | cULus Listed, General Purpose |
| CSA approval | cCSAus Listed, General Purpose |

Dimensions



Electrical Connection



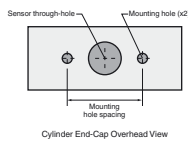
Pinout



Wire colors

- | | | |
|---|-------|-------------|
| 1 | GN | (green) |
| 2 | RD/BK | (red/black) |
| 3 | RD/WH | (red/white) |

NPT Type Mounting Holes:
 1000 and 3000 psi NPT Types:
 Mounting hole screw thread shall be 1/4" - 20.
 Minimum thread engagement depth is 0.250" (6.35 mm)
 Hole spacing is 35 mm center to center.



Mounting Screws:
 Standard 1000 and 3000 psi models use two, self-locking 1/4" - 20 socket head cap screws (provided).
 Recommended tightening torque: 150 in lb (16.95 N-m).

⚠ Important: When using spacers, make certain to maintain the 0.250" (6.35 mm) minimum mounting screw thread engagement.