



Model Number

NJ20+U4+W-T

Features

- Limit switch style housing
- 2-wire AC
- Temperature range
-25 ... 100 °C (-13 ... 212 °F)
- Metal base 1/2" NPT

Accessories

MHW 01
Modular mounting bracket

Technical Data

General specifications

Switching element function	AC	NO/NC
Rated operating distance	s_n	20 mm
Installation		non-flush
Output polarity		AC
Assured operating distance	s_a	0 ... 16.2 mm
Actual operating distance	s_r	18 ... 22 mm typ. 20 mm
Reduction factor r_{AI}		0.4
Reduction factor r_{Cu}		0.3
Reduction factor r_{304}		0.85

Nominal ratings

Operating voltage	U_B	20 ... 253 V ¹⁾
Switching frequency	f	0 ... 25 Hz
Hysteresis	H	typ. 3 %
Voltage drop	U_d	≤ 7 V
Momentary current (20 ms, 0.1 Hz)		0 ... 4000 mA
Operating current	I_L	10 ... 500 mA
Off-state current	I_r	0 ... 3 mA typ.
Time delay before availability	t_v	≤ 30 ms
Operating voltage indicator		LED, green
Switching state indicator		LED, yellow

Ambient conditions

Ambient temperature	-25 ... 100 °C (-13 ... 212 °F)
---------------------	---------------------------------

Mechanical specifications

Connection type	screw terminals
Information for connection	A maximum of two conductors with the same core cross-section may be mounted on one terminal connection! tightening torque 1.2 Nm + 10 %
Core cross-section	up to 2.5 mm ²
Minimum core cross-section	without wire end ferrule 0.5 mm ² , with connector sleeves 0.34 mm ²
Maximum core cross-section	without wire end ferrule 2.5 mm ² , with connector sleeves 1.5 mm ²
Housing material	PBT/base of metal
Sensing face	PBT
Degree of protection	IP68
Note	¹⁾ In the temperature range below 0 °C, permissible operating voltage U_b 80...253 V Safety fuse ≤ 2 A (quick-blow) according to IEC 60127-2 Sheet 1 Recommendation: after a short circuit, check that the device is functioning correctly.

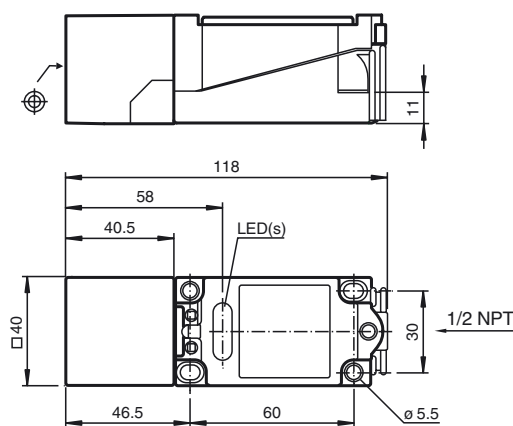
Compliance with standards and directives

Standard conformity	
Standards	EN 60947-5-2:2007 IEC 60947-5-2:2007

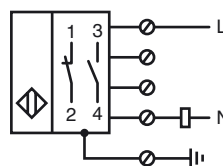
Approvals and certificates

UL approval	cULus Listed, General Purpose
CSA approval	cCSAus Listed, General Purpose
CCC approval	Certified by China Compulsory Certification (CCC)

Dimensions



Electrical Connection



Release date: 2016-09-29 11:44 Date of issue: 2016-10-10 015055_eng.xml