



**Model Number**

**NJ20+U4+W4**

**Features**

- **Comfort series**
- **20 mm flush**
- **20 mm non-flush**
- **4-wire AC**

**Accessories**

**1/2" NPT-V1-G-S-3M**

Male receptacle, M12/ 1/2" NPT, 4-pin

**V1-G**

Female connector, M12, 4-pin, field attachable

**V1-W**

Female connector, M12, 4-pin, field attachable

**MHW 01**

Modular mounting bracket

**Technical Data**

**General specifications**

Switching element function	AC	NO/NC
Rated operating distance	$s_n$	20 mm
Installation		non-flush
Output polarity		AC
Assured operating distance	$s_a$	0 ... 16.2 mm
Actual operating distance	$s_r$	18 ... 22 mm typ. 20 mm
Reduction factor $r_{AI}$		0.35
Reduction factor $r_{Cu}$		0.35
Reduction factor $r_{304}$		0.8

**Nominal ratings**

Operating voltage AC	$U_B$	20 ... 253 V
Switching frequency	$f$	0 ... 20 Hz
Hysteresis	$H$	1 ... 10 typ. 5 %
Voltage drop	$U_d$	$\leq 4$ V
Momentary current (20 ms, 0.1 Hz)		$\leq 4$ A
Operating current	$I_L$	5 ... 500 mA
Off-state current	$I_r$	$\leq 2.5$ mA
Time delay before availability	$t_v$	$\leq 200$ ms
Switching state indicator		LED green: NC LED red: NO

**Ambient conditions**

Ambient temperature	-25 ... 70 °C (-13 ... 158 °F)
Storage temperature	-25 ... 85 °C (-13 ... 185 °F)

**Mechanical specifications**

Connection type	screw terminals
Information for connection	A maximum of two conductors with the same core cross-section may be mounted on one terminal connection! tightening torque 1.2 Nm + 10 %
Core cross-section	up to 2.5 mm <sup>2</sup>
Minimum core cross-section	without wire end ferrule 0.5 mm <sup>2</sup> , with connector sleeves 0.34 mm <sup>2</sup>
Maximum core cross-section	without wire end ferrule 2.5 mm <sup>2</sup> , with connector sleeves 1.5 mm <sup>2</sup>
Housing material	PBT/base of metal
Sensing face	PBT
Degree of protection	IP68
Note	<sup>1)</sup> In the temperature range below 0 °C, permissible operating voltage $U_b$ 80...253 V Safety fuse $\leq 2$ A (quick-blow) according to IEC 60127-2 Sheet 1 Recommendation: after a short circuit, check that the device is functioning correctly.

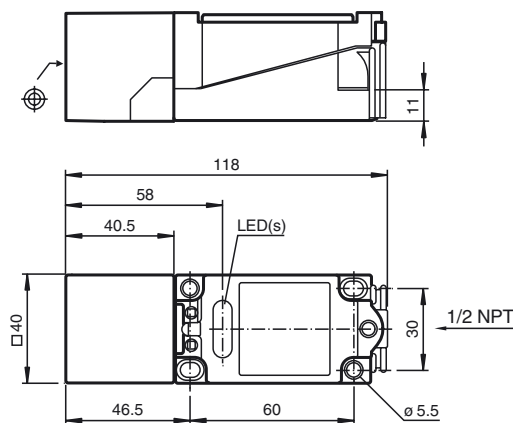
**Compliance with standards and directives**

Standard conformity	
Standards	EN 60947-5-2:2007 IEC 60947-5-2:2007

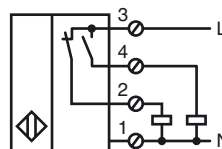
**Approvals and certificates**

UL approval	cULus Listed, General Purpose
CSA approval	cCSAus Listed, General Purpose
CCC approval	Certified by China Compulsory Certification (CCC)

**Dimensions**



**Electrical Connection**



Release date: 2016-09-29 11:44 Date of issue: 2016-10-10 016025\_eng.xml