



Model Number

NJ20+U4+E-BHMS4

Features

- 20 mm flush

Technical Data

General specifications

Switching element function		NPN	NO
Rated operating distance	s_n	20 mm	
Installation		flush	
Output polarity		DC	
Assured operating distance	s_a	0 ... 16.2 mm	
Reduction factor r_{Al}		0.35	
Reduction factor r_{Cu}		0.35	
Reduction factor r_{304}		0.8	

Nominal ratings

Operating voltage	U_B	10 ... 60 V
Switching frequency	f	0 ... 150 Hz
Hysteresis	H	1 ... 10 typ. 5 %
Reverse polarity protection		reverse polarity protected
Short-circuit protection		pulsing
Voltage drop	U_d	≤ 2.8 V

Voltage drop at I_L

Voltage drop $I_L = 1$ mA, switching element on U_d 0.5 ... 2.3 V typ. 0.9 V

Voltage drop $I_L = 10$ mA, switching element on U_d 0.8 ... 2.2 V typ. 1.4 V

Voltage drop $I_L = 20$ mA, switching element on U_d 0.9 ... 2.3 V typ. 1.5 V

Voltage drop $I_L = 50$ mA, switching element on U_d 0.9 ... 2.5 V typ. 1.6 V

Voltage drop $I_L = 100$ mA, switching element on U_d 1 ... 2.6 V typ. 1.8 V

Voltage drop $I_L = 200$ mA, switching element on U_d 1.2 ... 2.8 V typ. 2 V

Operating current I_L 0 ... 200 mA

Off-state current I_r 0 ... 0.5 mA typ. 0.01 mA

Off-state current $T_U = 40$ °C, switching element off ≤ 100 μ A

No-load supply current I_0 ≤ 10 mA

Time delay before availability t_v ≤ 50 ms

Operating voltage indicator LED, green

Switching state indicator LED, yellow

Ambient conditions

Ambient temperature	-25 ... 70 °C (-13 ... 158 °F)
Storage temperature	-25 ... 85 °C (-13 ... 185 °F)

Mechanical specifications

Connection type	BHMS4 quick disconnect
Housing material	PBT/metal
Sensing face	PBT
Degree of protection	IP68

Compliance with standards and directives

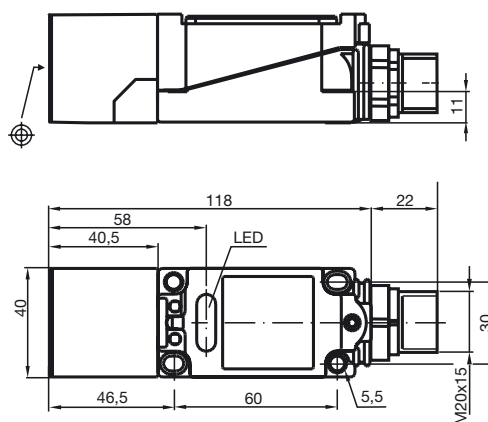
Standard conformity

Standards	EN 60947-5-2:2007 IEC 60947-5-2:2007
-----------	---

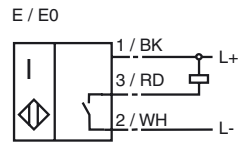
Approvals and certificates

UL approval	cULus Listed, General Purpose
CSA approval	cCSAus Listed, General Purpose
CCC approval	Certified by China Compulsory Certification (CCC)

Dimensions



Electrical Connection



Release date: 2015-02-26 08:45 Date of issue: 2015-02-26 09:48:19_eng.xml