



**Model Number**

NJ20P+U4+A2-V1

**Features**

- Only for non-ferrous metals
- 20 mm non-flush
- 4-wire DC

**Technical Data**

**General specifications**

Switching element function		PNP	NO/NC
Rated operating distance	$s_n$	20 mm	
Installation		non-flush	
Output polarity		DC	
Assured operating distance	$s_a$	0 ... 16.2 mm	
Reduction factor $r_{Al}$		1	
Reduction factor $r_{Cu}$		1	
Reduction factor $r_{S37}$		0	
Reduction factor $r_{Brass}$		1 (Minimum distance: 2 mm)	

**Nominal ratings**

Operating voltage	$U_B$	10 ... 30 V DC
Switching frequency	$f$	0 ... 200 Hz
Hysteresis	$H$	1 ... 10 typ. 5 %
Reverse polarity protection		reverse polarity protected
Short-circuit protection		pulsing
Voltage drop	$U_d$	$\leq 3$ V
Operating current	$I_L$	0 ... 200 mA
No-load supply current	$I_0$	$\leq 20$ mA
Time delay before availability	$t_v$	$\leq 10$ ms
Operating voltage indicator		LED, green
Switching state indicator		LED, yellow

**Ambient conditions**

Ambient temperature	-25 ... 70 °C (-13 ... 158 °F)
---------------------	--------------------------------

**Mechanical specifications**

Connection type	Connector M12 x 1, 4-pin
Housing material	PBT
Sensing face	PBT
Housing base	metal
Degree of protection	IP68

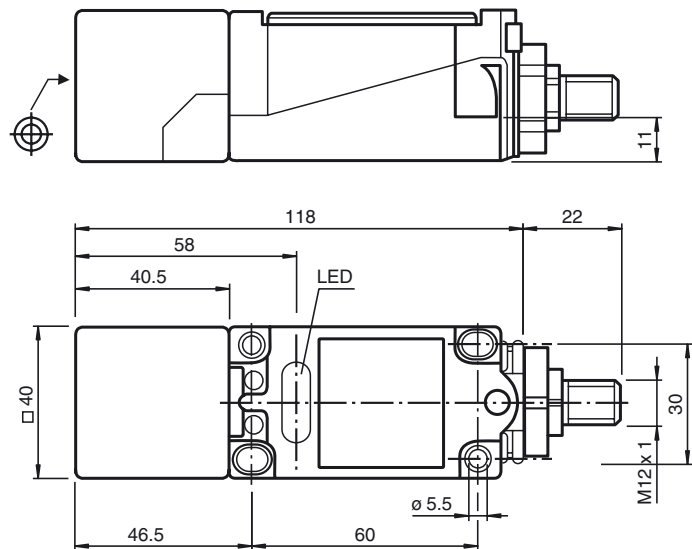
**Compliance with standards and directives**

Standard conformity	
Standards	EN 60947-5-2:2007 IEC 60947-5-2:2007

**Approvals and certificates**

UL approval	cULus Listed, General Purpose
CSA approval	cCSAus Listed, General Purpose

**Dimensions**



**Electrical Connection**

