



Model Number

NJ20-40-N

Features

- 20 mm non-flush

Accessories

BF 40

Mounting flange, 40 mm

Technical Data

General specifications

Switching function		Normally closed (NC)
Output type		NAMUR
Rated operating distance	s_n	20 mm
Installation		non-flush
Assured operating distance	s_a	0 ... 16.2 mm
Reduction factor r_{AI}		0.4
Reduction factor r_{Cu}		0.3
Reduction factor r_{304}		0.85
Output type		2-wire

Nominal ratings

Nominal voltage	U_o	8.2 V (R_i approx. 1 k Ω)
Switching frequency	f	0 ... 100 Hz

Current consumption

Measuring plate not detected	≥ 3 mA
Measuring plate detected	≤ 1 mA

Functional safety related parameters

MTTF _d	11400 a
Mission Time (T_M)	20 a
Diagnostic Coverage (DC)	0 %

Ambient conditions

Ambient temperature	-25 ... 100 °C (-13 ... 212 °F)
---------------------	---------------------------------

Mechanical specifications

Connection type	terminal compartment
Core cross-section	up to 2.5 mm ²
Housing material	PBT
Sensing face	PBT
Degree of protection	IP67

General information

Use in the hazardous area	see instruction manuals
Category	2G

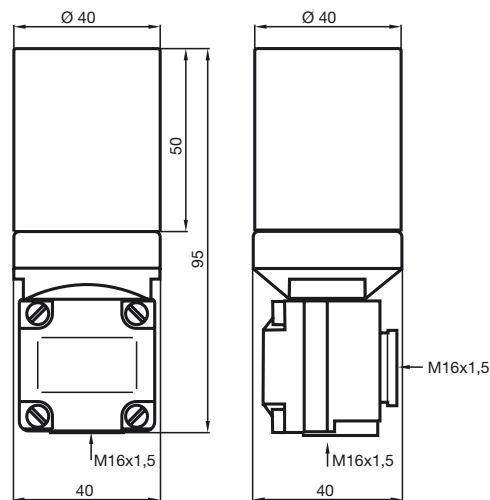
Compliance with standards and directives

Standard conformity	
NAMUR	EN 60947-5-6:2000 IEC 60947-5-6:1999
Standards	EN 60947-5-2:2007 IEC 60947-5-2:2007

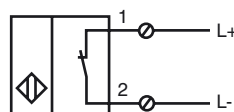
Approvals and certificates

FM approval	
Control drawing	116-0165
UL approval	cULus Listed, General Purpose
CSA approval	cCSAus Listed, General Purpose
CCC approval	CCC approval / marking not required for products rated ≤ 36 V

Dimensions



Electrical Connection



Equipment protection level Gb

CE marking	CE 0102	
Effective internal inductivity	C_i	$\leq 140 \text{ nF}$; a cable length of 10 m is considered.
Effective internal inductance	L_i	$\leq 140 \text{ }\mu\text{H}$; a cable length of 10 m is considered.
Maximum permissible ambient temperature T_{amb}	Details of the correlation between the type of circuit connected, the maximum permissible ambient temperature, the temperature class, and the effective internal reactance values can be found on the EU-type examination certificate.	

Equipment protection level Da

CE marking	CE 0102	
Effective internal inductivity	C_i	$\leq 140 \text{ }\mu\text{F}$ A cable length of 10 m is considered.
Effective internal inductance	L_i	$\leq 140 \text{ }\mu\text{H}$ A cable length of 10 m is considered.

Release date: 2017-05-30 13:22 Date of issue: 2017-07-24 106496_eng.xml