



Model Number

NJ15+U4+DW2-1

Features

- Surface mount
- Sensing range 15 mm
- 3-wire AC
- Frequency range 0.1 to 1 Hz

Technical Data

General specifications

Switching element function	NO contact
Frequency range	0.1 ... 1 Hz, adjustable
Rated operating distance	s_n 15 mm
Installation	flush
Output polarity	AC
Assured operating distance	s_a 0 ... 12.15 mm
Reduction factor r_{Al}	0.4
Reduction factor r_{Cu}	0.3
Reduction factor r_{304}	0.85

Nominal ratings

Operating voltage	U_B	90 ... 250 V AC
Hysteresis	H	3 ... 15 typ. 5
Short-circuit protection		no
Voltage drop	U_d	≤ 2 V AC
Momentary current (20 ms, 0.1 Hz)		0 ... 1000 mA
Operating current	I_L	0 ... 150 mA
Off-state current	I_r	≤ 10 μ A
Switching state indicator		LED 1: yellow
Damping indicator		LED 2: yellow

Ambient conditions

Ambient temperature	-25 ... 70 °C (-13 ... 158 °F)
---------------------	--------------------------------

Mechanical specifications

Connection type	screw terminals
Core cross-section	up to 2.5 mm ²
Housing material	PBT/metal
Sensing face	PBT
Degree of protection	IP67
Note	¹⁾ In the temperature range below 0 °C, permissible operating voltage U_b 80...253 V Safety fuse ≤ 0.2 A (quick-blow) according to IEC 60127-2 Sheet 1 Recommendation: after a short circuit, check that the device is functioning correctly.

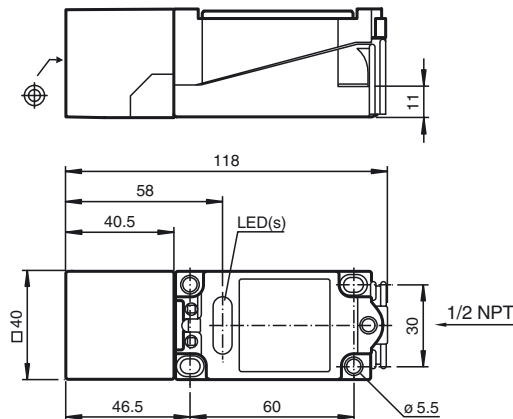
Compliance with standards and directives

Standard conformity	
Standards	IEC / EN 60947-5-2:2004

Approvals and certificates

UL approval	cULus Listed, General Purpose
CSA approval	cCSAus Listed, General Purpose
CCC approval	Certified by China Compulsory Certification (CCC)

Dimensions



Electrical Connection

